

Wall mounted receptacle

Part number: 9372



MENNEKES
Elektrotechnik GmbH & Co. KG

Aloys-Mennekes-Straße 1
57399 Kirchhundem
GERMANY

www.MENNEKES.org

Product Description

- screw connection technology
- external fixing
- 25° inclination
- enclosure can be turned 180°
- receptacle is designed for adding an auxiliary contact switch

Technical Details

| Wall mounted receptacle | 9372 |
|---|------------------------|
| Ampere | 32A |
| Number of poles | 4p |
| Clock position | 6h |
| Nominal voltage AC | 400V |
| Nominal frequency | 50 - 60 Hz |
| Protection type IP | IP67 |
| Contact carrier | standard |
| X-CONTACT | no |
| Connection | screw terminals |
| Contact screw drive | PZ2, slot |
| Screw drive external screws | PZ2, slot |
| Pilot contact | without pilot contact |
| Pilot contact switch | no |
| Cable entry at the top | 1 x M32 (optional M25) |
| Cable entry at the bottom | 2 x M25 (blind) |
| Blind cable entry at the rear | no |
| Enclosure base can be turned 180° | yes |
| Insertion direction | angled |
| Inclination | 25° |
| Type of mounting | external fixing |
| Highly resistant to chemicals | no |
| Military version | no |
| Lockable | no |
| Tightening torque connection terminal for cable cross-section 1,0 - 1,5 mm ² | 0.6 Nm |

| | |
|---|---------------------|
| Wall mounted receptacle | 9372 |
| Tightening torque connection terminal for cable cross-section 2,5 - 4,0 mm ² | 0.8 Nm |
| Tightening torque connection terminal for cable cross-section 6 - 10 mm ² | 1.2 Nm |
| Strip length PH + N solid conductor | 12 - 17 mm |
| Strip length PE solid conductor | 12 - 17 mm |
| Conductor cross-section min. | 2.5 mm ² |
| Conductor cross-section max. | 6 mm ² |
| Weight (net) | 529 g |
| Packaging unit | 5 pcs |
| Quantity per pallet | 330 pcs |
| EAN / identification number | 4015394280644 |

| Permissible ambient conditions | Min. | Max. |
|-----------------------------------|---------------------------------|--------|
| | Permissible ambient temperature | -25 °C |
| Average temperature over 24 hours | | 35 °C |

| Material properties | |
|---------------------|---|
| Base | PC/PET light grey [similar RAL 7035] |
| Upper part | PBT/PC light grey [similar RAL 7035] |
| Hinged lid | PA6 red [similar RAL 3013] |
| | TPE black [similar RAL 9005] |
| | PBT/PC squirrel grey [similar RAL 7000] |
| External screws | steel bare |

Material resistance

The material resistance overview can be found on the website in the section “Knowledge” - “Product knowledge” - “Materials”.

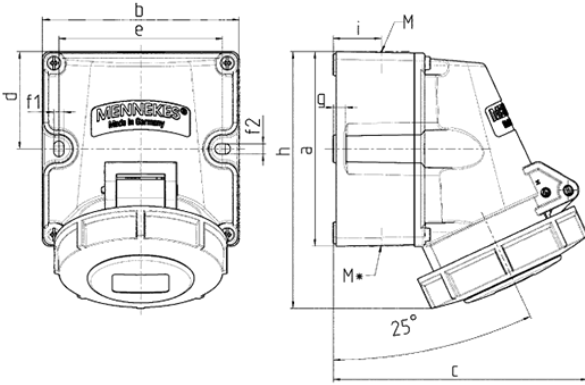
Material and environmental properties

| | |
|-----------------------------------|----|
| RoHS 2011/65/EU incl. 2015/863/EU | ✓ |
| POP regulation (EU) 2019/1021 | ✓ |
| Halogen-free | no |

Regulations and Standards

| | |
|---------------------------|------------------------------|
| Norm | DIN EN IEC 60309-2 |
| Declaration of Conformity | CE |
| Test label | CB Zertifikat, VDE, EAC, CQC |

Dimensional Drawing



| Drawing 1 MB 622 | Amp. Poles | 16 | | | 32 | | |
|--|---------------|---|------|------|---|------|------|
| | | 3 | 4 | 5 | 3 | 4 | 5 |
| Dim. in mm | a | 100 | 100 | 100 | 100 | 100 | 100 |
| | b | 101 | 101 | 101 | 109 | 109 | 109 |
| | c | 117 | 125 | 131 | 157 | 157 | 160 |
| | d | 50 | 50 | 50 | 50 | 50 | 50 |
| | e | 84 | 84 | 84 | 92 | 92 | 92 |
| | f1 | 5.3 | 5.3 | 5.3 | 5.3 | 5.3 | 5.3 |
| | f2 | 5.3 | 5.3 | 5.3 | 5.3 | 5.3 | 5.3 |
| | g | 6.5 | 6.5 | 6.5 | 6.5 | 6.5 | 6.5 |
| | h | 131 | 131 | 132 | 148 | 148 | 148 |
| | i | 24.7 | 24.7 | 24.7 | 27.5 | 27.5 | 27.5 |
| | M | 25 (optional M20) | | | 32 (optional M25) | | |
| | M* | 2x25 (blind) to be cut out 18 (M25) and 15 (M20) | | | 2x25 (blind) to be cut out 25 (M32) and 18 (M25) | | |
| Max. cable diam. (mm) | | 1.5 | 1.5 | 1.5 | 2.5 | 2.5 | 2.5 |
| Terminal for cond. cross section (mm ²) min.-max. | | —4 | —4 | —4 | —6 | —6 | —6 |