

# MONOPOINT L3 BLACK

Item No: 3020080

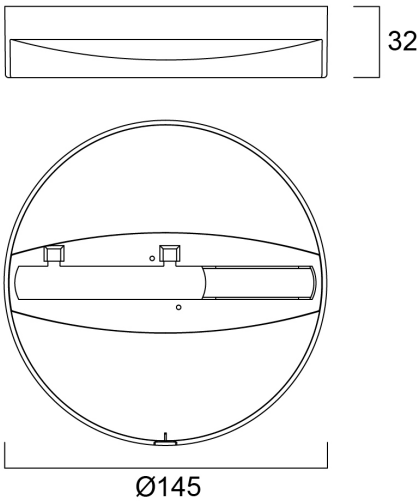
Concord



Monopoint accessory, black, for surface mounting spotlights, ideal for retail, display, museum and gallery applications, suitable for use with all Concord/Lumiance spotlights with L3 track adaptor. Doesn't work with DALI.

## Technical Assets

### Dimensions (mm)



### Photometrics

# MONOPOINT L3 BLACK

Item No: 3020080

Concord

## General data

Product name	MONOPOINT L3 BLACK
Technology	Accessory
Accessory type	Mounting
Mount	Ceiling surface mounting
Environment	Internal
General application	Museums & Galleries, Retail
ETIM Class	EC002556
E-number FI	4270871
E-number SE	7437109
E-number Norway	3290156
Warranty	5 years

## Optical data

Adjustable chromaticity | N

## Physical data

IP rating	IP20
IK rating	IK02
Weight (kg)	0.15

## Packaging

Product EAN number	8711971200802
Packaging single length / height (cm)	26.0
Packaging single width (cm)	19.0
Packaging single depth (cm)	3.0
Units per outer package	1
Packaging outer length / height (cm)	26.0
Packaging outer width (cm)	19.0
Packaging outer depth (cm)	3.0