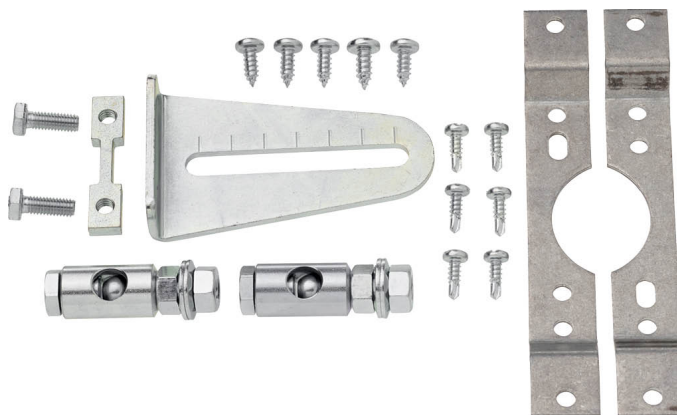


Mounting kit for linkage operation

• for flat installation



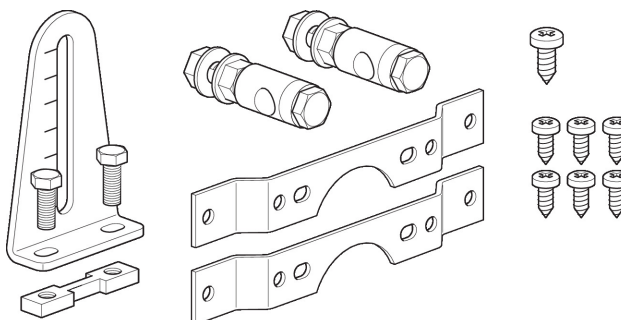
### Technical data

Weight Weight 0.33 kg

### Product features

**Used materials** Galvanised steel

**Application** Suitable for LMQ..A, NM..A, NMC..A, NMQ..A



### Dimensions

#### Dimensional drawings

