

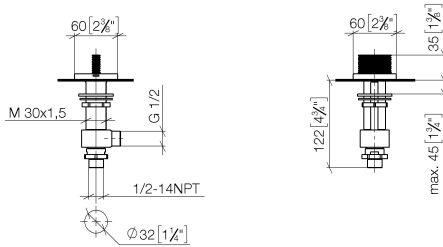
20 002 706 Product version from 3/9/2015

- with CASCADE structure
- hole diameter 32 mm
- with hot marking
- rosette 60 x 60 mm
- WRAS



20 002 706 Product version from 3/9/2015

mm [inches]



**Flow rate chart**



**Codes & Standards**

ASME A112.18.1

cUPC

Scottish Water  
Byelaws

UK Water Supply  
Regulations



## CL.1 Deck valve anti-clockwise closing hot - Brushed Platinum

---

CL.1

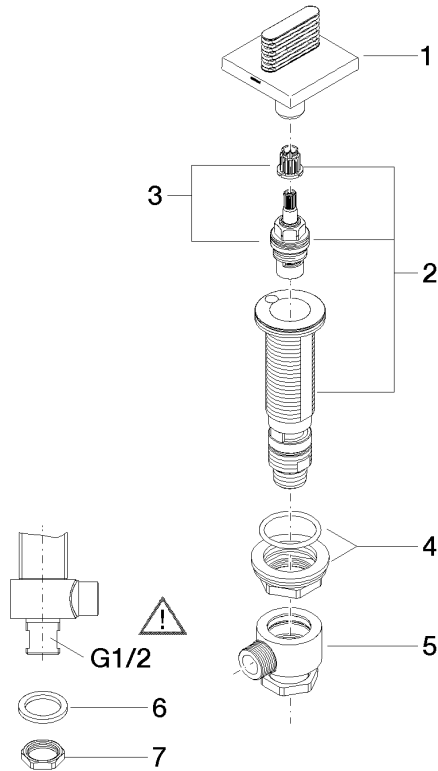
20 002 706 Product version from 3/9/2015

### Certificates and sustainability

---

IAPMO\_4976

WRAS\_2103



Spare parts list

No.	Item Number	Name	Quantity used	Delivery time
3	90 90 03 132 00 90	Head part anti-clockwise closing extended, 7mm 1/2" -	1.00	14
7	09 30 11 059 90	Disc -	1.00	14
2	04 17 11 058 32 90	Side piece anti-clockwise closing, 1/2" -	1.00	14
8	09 23 10 012 90	Mounting Nut SW 24 1/2" -	1.00	14
5	04 17 11 023 10 90	Connection Distributor, complete 1/2" -	1.00	14
4	04 23 10 032 78 90	Mounting with seals M30 x 1,5 -	1.00	14
1	90 20 70 053 05-06	Handle for bath Hot oval step 60 x 60 x 40 mm - Brushed Platinum	1.00	26
6	90 23 30 040 00-06	Union piece - Brushed Platinum	1.00	26