

Wall mounted receptacle

Part number: 27004VN



MENNEKES
Elektrotechnik GmbH & Co. KG

Aloys-Mennekes-Straße 1
57399 Kirchhundem
GERMANY

www.MENNEKES.org

Product Description

- screw connection technology
- nickel plated contacts, highly heat resistant contact carrier
- external fixing, prepared for internal fixing
- 15° inclination

Technical Details

Wall mounted receptacle	27004VN
Ampere	16A
Number of poles	5p
Clock position	6h
Nominal voltage AC	400V
Nominal frequency	50 - 60 Hz
Protection type IP	IP44
Contact carrier	nickel plated contacts, highly heat resistant contact carrier
X-CONTACT	no
Connection	screw terminals
Contact screw drive	PZ2, slot
Screw drive external screws	PZ2, slot
Pilot contact	without pilot contact
Pilot contact switch	no
Cable entry at the top	1 x M25x1,5
Blind cable entry at the rear	no
Enclosure base can be turned 180°	no
Insertion direction	angled
Inclination	15°
Type of mounting	external fixing, prepared for internal fixing
Highly resistant to chemicals	no
Military version	no
Lockable	no
Tightening torque connection terminal for cable cross-section 1,0 - 1,5 mm ²	0.6 Nm

Wall mounted receptacle	27004VN
Tightening torque connection terminal for cable cross-section 2,5 - 4,0 mm ²	0.8 Nm
Tightening torque connection terminal for cable cross-section 6 - 10 mm ²	1.2 Nm
Strip length jacket	90 mm
Strip length PH + N solid conductor	8 - 10 mm
Strip length PE solid conductor	12 - 17 mm
Conductor cross-section min.	1.5 mm ²
Conductor cross-section max.	4 mm ²
Weight (net)	270 g
Packaging unit	10 pcs
Quantity per pallet	720 pcs
EAN / identification number	4015394287483

Permissible ambient conditions

	Min.	Max.
Permissible ambient temperature	-25 °C	40 °C
Average temperature over 24 hours		35 °C

Material properties

Base	PA6 light grey [similar RAL 7035]
Upper part	PA6 red [similar RAL 3013]
Front part	PA6 red [similar RAL 3013]
Hinged lid	PC red [similar RAL 3013]
External screws	steel galvanised

Material resistance

The material resistance overview can be found on the website in the section “Knowledge” - “Product knowledge” - “Materials”.

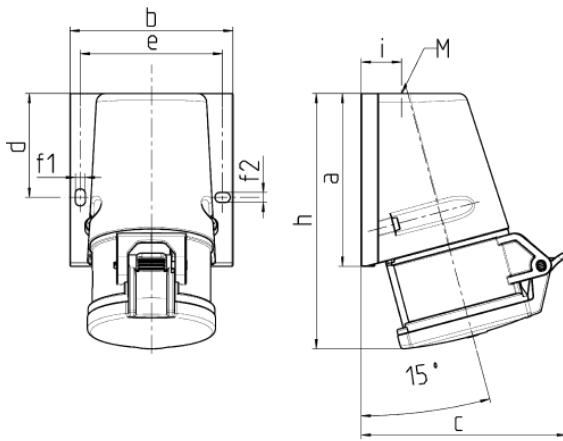
Material and environmental properties

RoHS 2011/65/EU incl. 2015/863/EU	✓
POP regulation (EU) 2019/1021	✓
Halogen-free	yes

Regulations and Standards

Norm	DIN EN IEC 60309-2
Declaration of Conformity	CE

Dimensional Drawing



Zeichnung 1 MB 463	Amp. Pole	16			32		
		3	4	5	3	4	5
Maße in mm							
a		95	93	92,5	102	102	102
b		73,5	87,5	87,5	94	94	94
c		93	107,5	110	115,5	115,5	119,5
d		55,5	55,5	55,5	62	62	62
e		61	76	76	84	84	84
f1		5,3	5,3	5,3	5,1	5,1	5,1
f2		5,3	5,3	5,3	5,1	5,1	5,1
h		139	139	136,5	160	160	156,5
i		19,8	21,5	21,5	26,5	26,5	26,5
M		20x	25x	25x	25x	32x	32x
Klemmen für Leiterquer-		1,5	1,5	1,5	1,5	1,5	1,5
schnitt von bis mm ²		1,5	1,5	1,5	2,5	2,5	2,5
		—4	—4	—4	—6	—6	—6