

Wall mounted receptacle

Part number: 27001VN



MENNEKES
Elektrotechnik GmbH & Co. KG

Aloys-Mennekes-Straße 1
57399 Kirchhundem
GERMANY

www.MENNEKES.org

Product Description

- screw connection technology
- nickel plated contacts, highly heat resistant contact carrier
- external fixing, prepared for internal fixing
- 15° inclination

Technical Details

Wall mounted receptacle	27001VN
Ampere	16A
Number of poles	3p
Clock position	6h
Nominal voltage AC	230V
Nominal frequency	50 - 60 Hz
Protection type IP	IP44
Contact carrier	nickel plated contacts, highly heat resistant contact carrier
X-CONTACT	no
Connection	screw terminals
Contact screw drive	PZ2, slot
Screw drive external screws	PZ2, slot
Pilot contact	without pilot contact
Pilot contact switch	no
Cable entry at the top	1 x M20x1,5
Blind cable entry at the rear	no
Enclosure base can be turned 180°	no
Insertion direction	angled
Inclination	15°
Type of mounting	external fixing, prepared for internal fixing
Highly resistant to chemicals	no
Military version	no
Lockable	no
Tightening torque connection terminal for cable cross-section 1,0 - 1,5 mm ²	0.6 Nm

Wall mounted receptacle	27001VN
Tightening torque connection terminal for cable cross-section 2,5 - 4,0 mm ²	0.8 Nm
Tightening torque connection terminal for cable cross-section 6 - 10 mm ²	1.2 Nm
Strip length jacket	90 mm
Strip length PH + N solid conductor	8 - 10 mm
Strip length PE solid conductor	12 - 17 mm
Conductor cross-section min.	1.5 mm ²
Conductor cross-section max.	4 mm ²
Weight (net)	202 g
Packaging unit	10 pcs
Quantity per pallet	880 pcs
EAN / identification number	4015394287735

Permissible ambient conditions

	Min.	Max.
Permissible ambient temperature	-25 °C	40 °C
Average temperature over 24 hours		35 °C

Material properties

Base	PA6 light grey [similar RAL 7035]
Upper part	PA6 blue [similar RAL 5007]
Front part	PA6 blue [similar RAL 5007]
Hinged lid	PC blue [similar RAL 5007]
External screws	steel galvanised

Material resistance

The material resistance overview can be found on the website in the section “Knowledge” - “Product knowledge” - “Materials”.

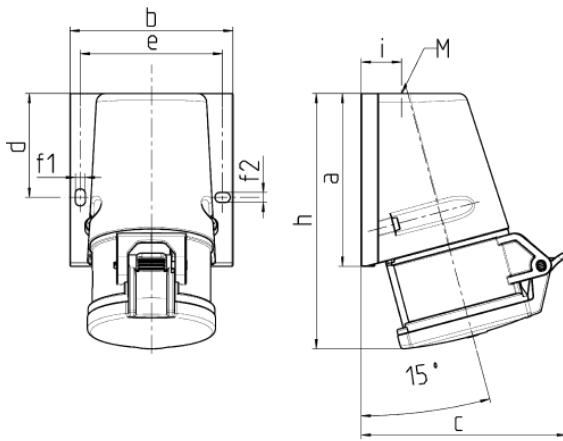
Material and environmental properties

RoHS 2011/65/EU incl. 2015/863/EU	✓
POP regulation (EU) 2019/1021	✓
Halogen-free	yes

Regulations and Standards

Norm	DIN EN IEC 60309-2
Declaration of Conformity	CE

Dimensional Drawing



Zeichnung	Amp.	16			32		
		3	4	5	3	4	5
1 MB 463	Pole						
Maße in mm	a	95	93	92,5	102	102	102
	b	73,5	87,5	87,5	94	94	94
	c	93	107,5	110	115,5	115,5	119,5
	d	55,5	55,5	55,5	62	62	62
	e	61	76	76	84	84	84
	f1	5,3	5,3	5,3	5,1	5,1	5,1
	f2	5,3	5,3	5,3	5,1	5,1	5,1
	h	139	139	136,5	160	160	156,5
	i	19,8	21,5	21,5	26,5	26,5	26,5
	M	20x	25x	25x	25x	32x	32x
	Klemmen für Leiterquerschnitt von bis mm²	1,5	1,5	1,5	1,5	1,5	1,5
		1,5	1,5	1,5	2,5	2,5	2,5
		—4	—4	—4	—6	—6	—6