

Wall mounted receptacle

Part number: 9530



MENNEKES
Elektrotechnik GmbH & Co. KG

Aloys-Mennekes-Straße 1
57399 Kirchhundem
GERMANY

www.MENNEKES.org

Product Description

- screw connection technology
- nickel plated contacts, highly heat resistant contact carrier
- external fixing
- 25° inclination
- enclosure can be turned 180°
- receptacle is designed for adding an auxiliary contact switch

Technical Details

Wall mounted receptacle	9530
Ampere	16A
Number of poles	7p
Clock position	9h
Nominal voltage AC	230V
Nominal frequency	50 - 60 Hz
Protection type IP	IP67
Contact carrier	nickel plated contacts, highly heat resistant contact carrier
X-CONTACT	no
Connection	screw terminals
Contact screw drive	PZ2, slot
Screw drive external screws	PZ2, slot
Pilot contact	without pilot contact
Pilot contact switch	no
Cable entry at the top	1 x M25 (optional M20)
Cable entry at the bottom	2 x M25 (blind)
Blind cable entry at the rear	no
Enclosure base can be turned 180°	yes
Insertion direction	angled
Inclination	25°
Type of mounting	external fixing
Highly resistant to chemicals	no
Military version	no
Lockable	no

Wall mounted receptacle	9530
Tightening torque connection terminal for cable cross-section 1,0 - 1,5 mm ²	0.6 Nm
Tightening torque connection terminal for cable cross-section 2,5 - 4,0 mm ²	0.8 Nm
Tightening torque connection terminal for cable cross-section 6 - 10 mm ²	1.2 Nm
Strip length PH + N solid conductor	8 - 10 mm
Strip length PE solid conductor	12 - 17 mm
Conductor cross-section min.	1.5 mm ²
Conductor cross-section max.	4 mm ²
Weight (net)	213 g
Packaging unit	5 pcs
Quantity per pallet	420 pcs
EAN / identification number	4015394281962

Permissible ambient conditions

	Min.	Max.
Permissible ambient temperature	-25 °C	40 °C
Average temperature over 24 hours		35 °C

Material properties

Base	PC/PET light grey [similar RAL 7035]
Upper part	PBT/PC light grey [similar RAL 7035]
Hinged lid	PA6 blue [similar RAL 5007]
	TPE black [similar RAL 9005]
	PBT/PC squirrel grey [similar RAL 7000]
External screws	steel bare

Material resistance

The material resistance overview can be found on the website in the section “Knowledge” - “Product knowledge” - “Materials”.

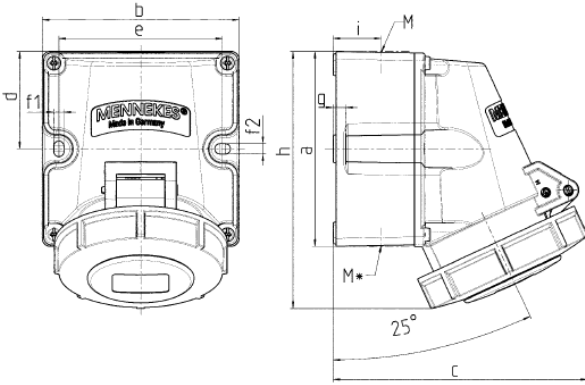
Material and environmental properties

RoHS 2011/65/EU incl. 2015/863/EU	✓
POP regulation (EU) 2019/1021	✓
Halogen-free	no

Regulations and Standards

Norm	DIN EN IEC 60309-2
Declaration of Conformity	CE
Test label	EAC, CQC

Dimensional Drawing



Drawing	Amp.	16	32
1 MB 622	Poles	7	7
Dim. in mm	a	100	100
	b	101	109
	c	131	160
	d	50	50
	e	84	92
	f1	5.3	5.3
	f2	5.3	5.3
	g	6.5	6.5
	h	132	148
	i	24.7	27.5
	M	25 (optional M20)	32 (optional M25)
	M*	2x25 (blind) to be cut out 18 (M25) and 15 (M20)	2x25 (blind) to be cut out 25 (M32) and 18 (M25)
Max. cable diam. (mm)			
Terminal for cond. cross			
section (mm ²) min.-max.		1.5	2.5
		—4	—6