

36 247 970 Product version from 3/13/2017



- drain Ø 52mm
- max. flow 27.8 l/min at 3 bar flow pressure

**Also suitable for king-size baths.**

**In combination with 35 021 970 90 concealed single-lever mixer, is intrinsically safe under DIN EN 1717. Alternatively, ensure protection with vacuum breaker 35 150 970 90.**

Also suitable for king-size baths.

In combination with 35 021 970 90 concealed single-lever mixer, is intrinsically safe under DIN EN 1717. Alternatively, ensure protection with vacuum breaker 35 150 970 90.

	Platinum	36 247 970-08
	Chrome	36 247 970-00
	Brushed Platinum	36 247 970-06
	Durabronze (23kt Gold)	36 247 970-09
	Dark Chrome	36 247 970-19
	Light Gold (PVD)	36 247 970-26
	Brushed Light Gold (PVD)	36 247 970-27
	Brushed Durabronze (23kt Gold)	36 247 970-28
	Matte Black	36 247 970-33
	Brushed Gold (PVD)	36 247 970-37
	Brushed Dark Brass (PVD)	36 247 970-39
	Brushed Bronze (PVD)	36 247 970-42
	Brushed Dark Bronze (PVD)	36 247 970-43
	Brushed Champagne (22kt Gold)	36 247 970-46
	Champagne (22kt Gold)	36 247 970-47
	Brushed Chrome	36 247 970-93
	Brushed Dark Platinum	36 247 970-99

**Required miscellaneous**



**Vacuum breaker -** 35 150 970 90  
•3/4" connection

**Required miscellaneous**

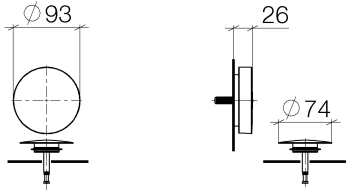
**Vacuum breaker - Platinum** 36 150 970-08

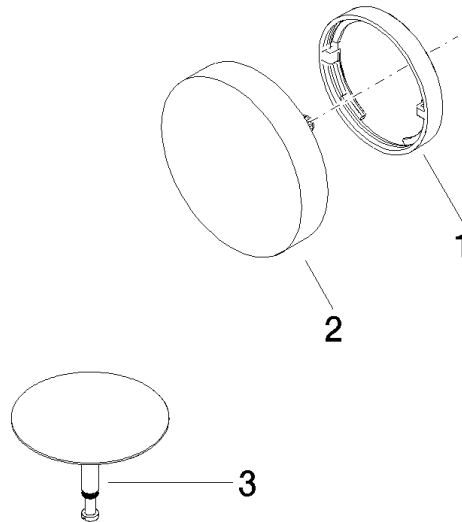


**Required miscellaneous**



**Bath spout with pop-up waste and overflow -** 35 248 970 90  
•bowden cable length 725 mm





### Spare parts list

No.	Item Number	Name	Quantity used	Delivery time
3	04 31 20 031 48-08	Plug for pop-up waste and overflow set 100 x 70 x 68 mm - Platinum	1.00	54
2	90 20 97 061 00-08	rotary handle Ø 93 x 52 mm - Platinum	1.00	54
1	09 11 01 124-08	Cover Ø 72 x 11 mm - Platinum	1.00	54