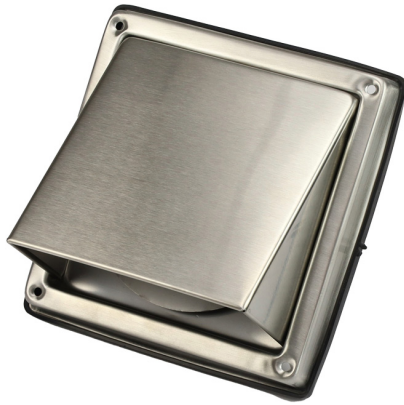


Louver Stainless Steel Backdraft EL-SS-BD



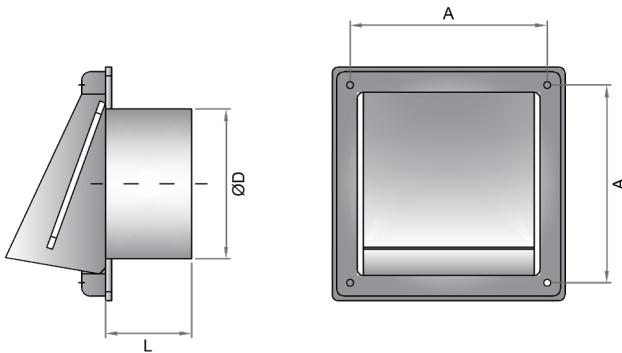
Specifications

- Item code: EL-SS-BD
- Suitable for rooms with high humidity
- Made of brushed stainless steel 304
- Stepless air volume regulation
- High ceiling ring with spring mounting for good airflow and reduced noise
- Easy to remove for cleaning
- Including connection sleeve
- Available sizes in mm: 100, 125, 150

Description

This Louver Stainless Steel Backdraft is equipped with a fixed angled cap for exhausting air into a ventilation duct. The valve in the grille will open in case of overpressure. Furthermore, this valve helps to avoid an opposing air flow, and is resistant to water and wind. The facade grille is suitable for mounting on a round ventilation pipe and is made of durable stainless steel 304/2B.

Dimensions



Dimensions

Model	ØD (mm)	AxA (mm)	L (mm)
EL-SS-OP100	100	137X137	52
EL-SS-OP125	125	167X167	52
EL-SS-OP150	150	167X167	62