

### Features

- Ceiling / wall luminaire with integrated LED. Perfect solution for hallways, circulation spaces or foyers. Body Size diameter 400mm. Besa mounting box compatible, hole distance 51 & 78mm. DualTone functionality enables switch between 3000K and 4000K colour temperatures. With the help of DIP Switch multiple lumen outputs can be set up in 4 steps (4000K: 22W 2500lm, 26W 3000lm, 30W 3500lm, 34W 4000lm). Efficacy up to 118lm/W. Supplied with integrated Microwave sensor for automatic on-off presence control. Non-dimmable. IK03, IP54. Low maintenance with lifespan 120,000 hours L70:B50.

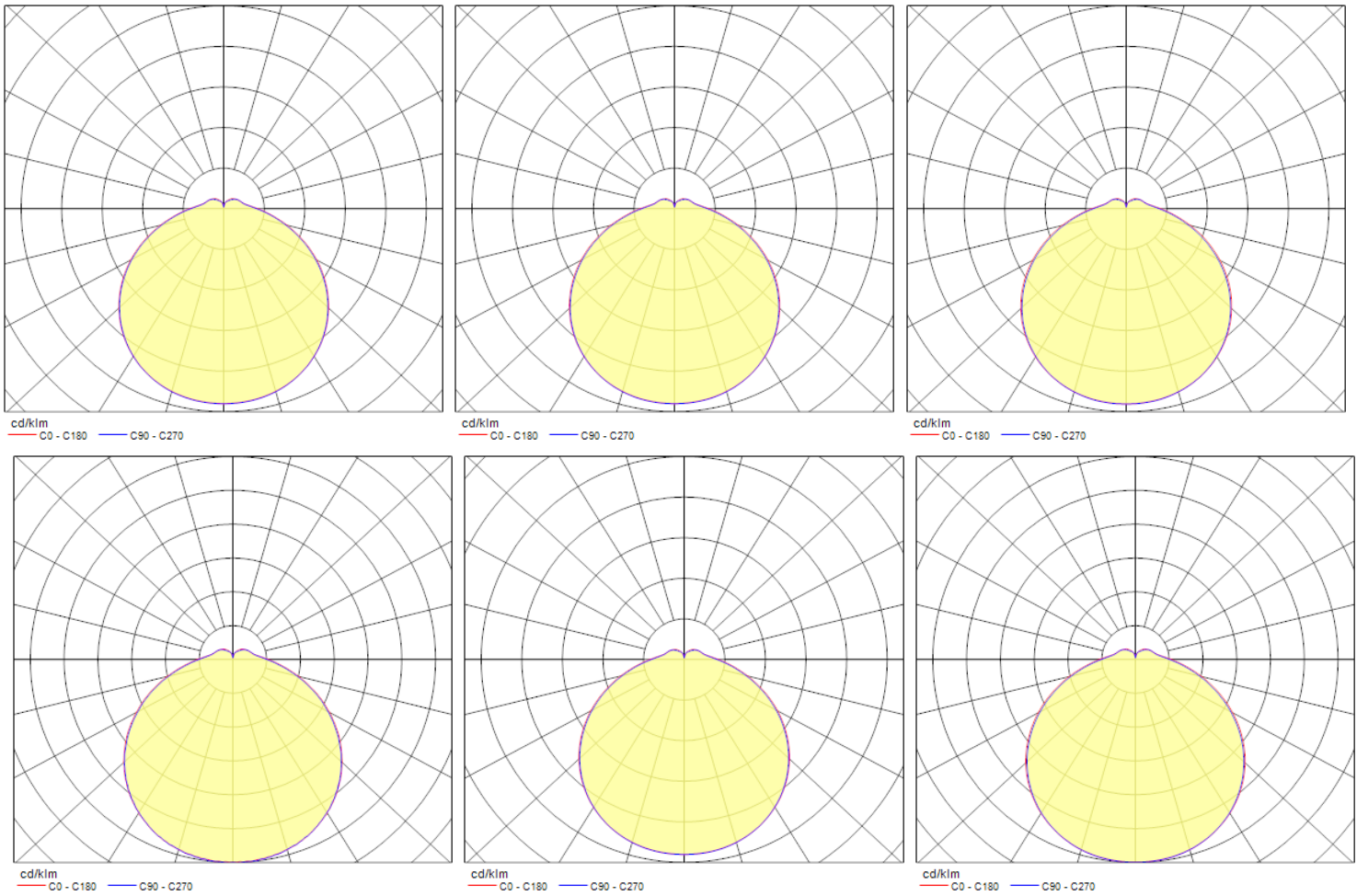
### Product Overview

Product name	START Surface IP54 Multipower MW 4000lm 830/840
Technology	LED
Cap/Base	N/A
Housing	PC Polycarbonate
Mount	Ceiling surface mounting
E-number FI	4279511
Fixture luminous flux (lm)	4000
Luminaire efficacy (lm/W)	118
Light colour	Warm White or Neutral White
CRI (Ra)	80
Colour Variation Initial (SDCM)	6
Photobiological Risk Group	RG1
Total power consumption (W)	34
Electrical protection	Class II
Control gear type	LED driver constant current
LED Flickering Rate	Low (6% - 20%)
Housing colour	RAL 9003 - Signal white

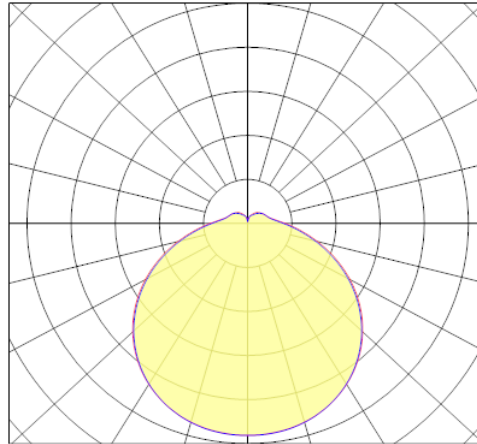
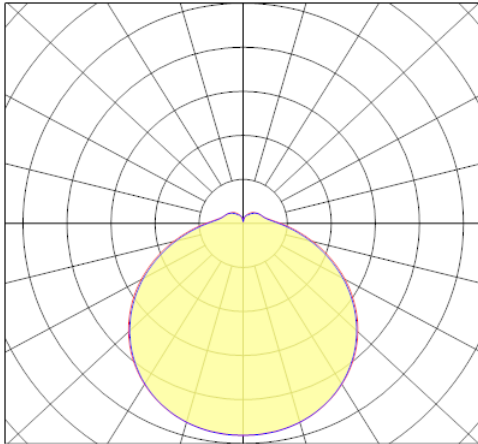
## START Surface IP54 Multipower MW 4000lm 830/840 0043410

IP rating	IP54
IK rating	IK03
Product EAN number	5410288434100
Warranty	5 years

### Photometry



## START Surface IP54 Multipower MW 4000lm 830/840 0043410



Distance [m]	Cone diameter [m]	E(0°)	E(C90)	E(C0)	Illuminance [lx]
0.5	2.01 2.07	3902	159	149	
1.0	4.03 4.14	900	40	37	
1.5	6.04 6.21	400	18	17	
2.0	8.06 8.27	225	10	9	
2.5	10.07 10.34	144	6	6	
3.0	12.09 12.41	100	4	4	

Distance [m] Cone diameter [m]  
C0 - C180 (Half beam angle: 128.4°)  
C90 - C270 (Half beam angle: 127.2°)

Distance [m]	Cone diameter [m]	E(0°)	E(C90)	E(C0)	Illuminance [lx]
0.5	2.02 2.09	3121	136	126	
1.0	4.05 4.17	780	34	32	
1.5	6.07 6.26	347	15	14	
2.0	8.09 8.35	195	9	8	
2.5	10.12 10.44	125	5	5	
3.0	12.14 12.52	87	4	4	

Distance [m] Cone diameter [m]  
C0 - C180 (Half beam angle: 128.6°)  
C90 - C270 (Half beam angle: 127.4°)

Distance [m]	Cone diameter [m]	E(0°)	E(C90)	E(C0)	Illuminance [lx]
0.5	2.01 2.09	2694	119	109	
1.0	4.03 4.17	673	30	27	
1.5	6.04 6.26	299	13	12	
2.0	8.06 8.35	168	7	7	
2.5	10.07 10.44	108	5	4	
3.0	12.09 12.52	75	3	3	

Distance [m] Cone diameter [m]  
C0 - C180 (Half beam angle: 128.8°)  
C90 - C270 (Half beam angle: 127.2°)

Distance [m]	Cone diameter [m]	E(0°)	E(C90)	E(C0)	Illuminance [lx]
0.5	2.01 2.07	2397	106	99	
1.0	4.03 4.14	599	26	25	
1.5	6.04 6.21	265	12	11	
2.0	8.06 8.27	150	7	6	
2.5	10.07 10.34	96	4	4	
3.0	12.09 12.41	67	3	3	

Distance [m] Cone diameter [m]  
C0 - C180 (Half beam angle: 128.4°)  
C90 - C270 (Half beam angle: 127.2°)

Distance [m]	Cone diameter [m]	E(0°)	E(C90)	E(C0)	Illuminance [lx]
0.5	2.01 2.08	3842	169	157	
1.0	4.03 4.16	960	42	39	
1.5	6.04 6.23	427	19	17	
2.0	8.06 8.31	240	11	10	
2.5	10.07 10.39	154	7	6	
3.0	12.09 12.47	107	5	4	

Distance [m] Cone diameter [m]  
C0 - C180 (Half beam angle: 128.6°)  
C90 - C270 (Half beam angle: 127.4°)

Distance [m]	Cone diameter [m]	E(0°)	E(C90)	E(C0)	Illuminance [lx]
0.5	2.02 2.10	3356	146	134	
1.0	4.05 4.19	839	37	34	
1.5	6.07 6.29	373	16	15	
2.0	8.09 8.39	210	9	8	
2.5	10.12 10.46	134	6	5	
3.0	12.14 12.58	93	4	4	

Distance [m] Cone diameter [m]  
C0 - C180 (Half beam angle: 129.0°)  
C90 - C270 (Half beam angle: 127.4°)

Distance [m]	Cone diameter [m]	E(0°)	E(C90)	E(C0)	Illuminance [lx]
0.5	2.01 2.09	2386	127	117	
1.0	4.03 4.17	722	32	29	
1.5	6.04 6.26	321	14	13	
2.0	8.06 8.35	180	8	7	
2.5	10.07 10.44	115	5	5	
3.0	12.09 12.52	80	4	3	

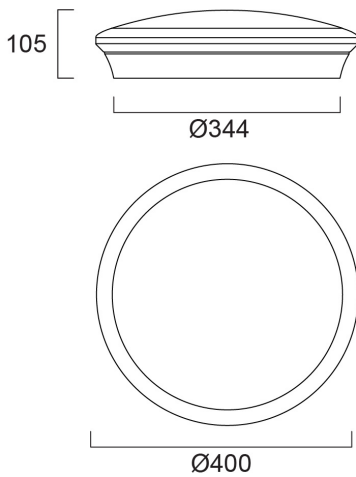
Distance [m] Cone diameter [m]  
C0 - C180 (Half beam angle: 128.8°)  
C90 - C270 (Half beam angle: 127.2°)

## START Surface IP54 Multipower MW 4000lm 830/840 0043410

Distance [m]	Cone diameter [m]	E(0°)	E(C90)	E(C0)	Illuminance [lx]
0.5	2.03 2.09	2262	97	91	
1.0	4.06 4.17	565	24	23	
1.5	6.10 6.26	251	11	10	
2.0	8.13 8.35	141	6	6	
2.5	10.16 10.44	90	4	4	
3.0	12.19 12.52	63	3	3	

Distance [m]      Cone diameter [m]      Illuminance [lx]  
 — C0 - C180 (Half beam angle: 128.8°)  
 — C90 - C270 (Half beam angle: 127.6°)

### Technical drawings



### Data table

#### GENERAL DATA

Product name	START Surface IP54 Multipower MW 4000lm 830/840
Technology	LED
Cap/Base	N/A

## START Surface IP54 Multipower MW 4000lm 830/840 0043410

Housing	PC Polycarbonate
Mount	Ceiling surface mounting
Operating temperature range (°C)	-20°C...+40°C
E-number FI	4279511
Warranty	5 years

### OPTICAL DATA

Fixture luminous flux (lm)	4000
Luminaire efficacy (lm/W)	118
Correlated colour temperature range (K)	3000 - 4000
Light colour	Warm White or Neutral White
CRI (Ra)	80
Colour Variation Initial (SDCM)	6
Photobiological Risk Group	RG1

### ELECTRICAL DATA

Total power consumption (W)	34
Primary Supply/Product voltage - min (V)	220.0
Lamp power factor	0.8
Electrical protection	Class II
Control gear required	No
Control gear type	LED driver constant current
Drive current (mA)	176
Inrush Current (A)	3
Inrush Duration (µs)	100
Glow Wire Test (°C)	850
Energy Efficiency Class (A->G) of contained light source	C
Nominal Frequency (Hz)	50/60Hz
LED Flickering Rate	Low (6% - 20%)
Max. products per 10A C Breaker	37
Max. products per 13A C Breaker	48
Max. products per 16A C Breaker	60
Max. products per 20A B Breaker	44

## START Surface IP54 Multipower MW 4000lm 830/840 0043410

Connectable conductor cross section - Max (mm <sup>2</sup> )	1.5
--	-----

### LIFETIME DATA

Lifespan L70 B50	120000
Lifespan L70 B20	120000
Lifespan L70 B10	120000
Lifespan L80 B50	105000
Lifespan L80 B20	95000
Lifespan L80 B10	89000
Lifespan L90 B50	51000
Lifespan L90 B20	47000
Lifespan L90 B10	44000

### PHYSICAL DATA

Housing colour	RAL 9003 - Signal white
IP rating	IP54
IK rating	IK03
Diffuser finish	Opal
Diffuser material	PMMA Acrylic
Nominal Product Diameter (mm)	400
Weight (kg)	1.13

### PACKAGING

Product EAN number	5410288434100
Packaging single width (cm)	43.0
Packaging single depth (cm)	11.5
DUN14 (outer)	15410288434107
Packaging outer length / height (cm)	60.0

### SAFETY DATA

Optimal operating condition (°C)	-20-40
Special purpose lamp	No

# SYLVANIA

START Surface IP54 Multipower MW 4000lm 830/840  
**0043410**

---

Dry applications use only	No
Suitable for household illumination	No