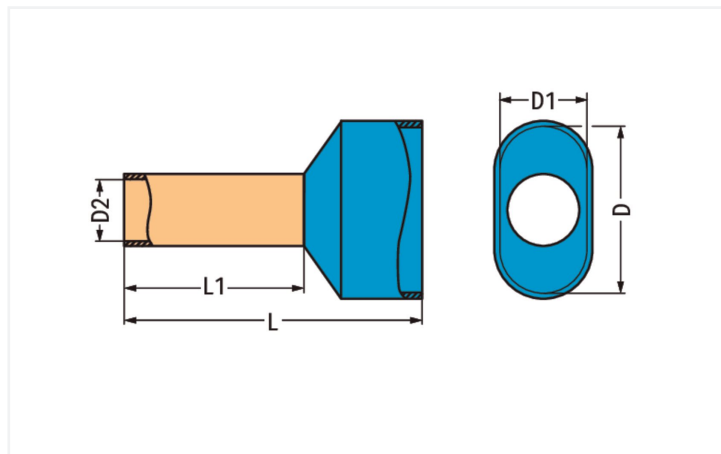


## Data Sheet | Item Number: 216-547

Twin ferrule only for 811 series; Sleeve for 2 x 6 mm / AWG 10; insulated; Nominal current 63 A; yellow

<https://www.wago.com/216-547>



Color: ■ yellow

Similar to illustration

### Connection data

Strip length	12 mm / 0.47 inches
Fine-stranded conductor	6 mm <sup>2</sup> / 10 AWG

### Physical data

Length	23 mm
Crimp length (length of sleeve)	12 mm
Diameter	11.4 mm
Inner Diameter plastic collar	6.2 mm
Diameter crimp sleeve inside	4.5 mm

### Material data

Color	yellow
Fire load	0 MJ
Weight	0.6 g

### Commercial data

eCl@ss 10.0	27-40-02-01
eCl@ss 9.0	27-40-02-01
ETIM 8.0	EC000005
ETIM 7.0	EC000005
PU (SPU)	1 pcs
Packaging type	Box
Country of origin	DE
GTIN	4050821849223
Customs tariff number	85369010000

Environmental Product Compliance	
RoHS Compliance Status	Compliant, No Exemption

## Downloads

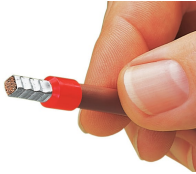
### Environmental Product Compliance

Compliance Search	
Environmental Product Compliance 216-547	<a href="#">↓</a>

## Documentation

Bid Text			
216-547	19.02.2019	xml 2.62 KB	<a href="#">↓</a>
216-547	28.04.2017	doc 22.50 KB	<a href="#">↓</a>

## Installation Notes



A perfect gas-tight crimp – both electrically and mechanically reliable