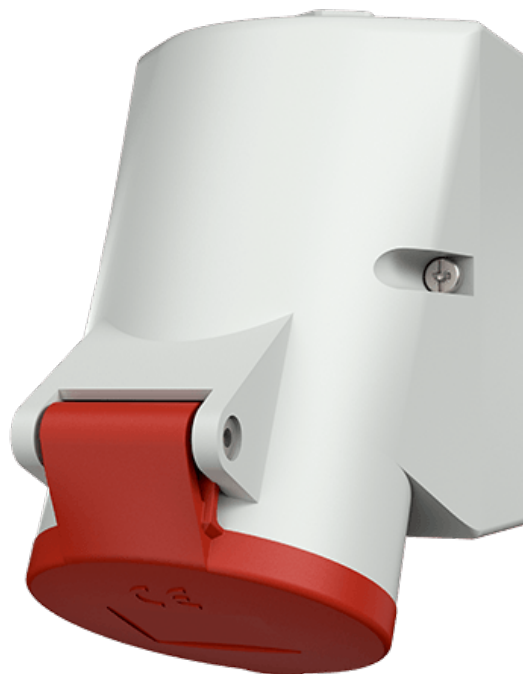


# Wall mounted receptacle

Part number: 3331



**MENNEKES**  
Elektrotechnik GmbH & Co. KG

Aloys-Mennekes-Straße 1  
57399 Kirchhundem  
GERMANY

[www.MENNEKES.org](http://www.MENNEKES.org)

## Product Description

- screwless, with insulation displacement technology TwinCONTACT
- internal fixing
- 25° inclination
- enclosure can be turned 180°
- suitable for through wiring

## Technical Details

| Wall mounted receptacle           | 3331   |
|-----------------------------------|--|
| Ampere                            | 16A  |
| Number of poles                   | 5p   |
| Clock position                    | 6h   |
| Nominal voltage AC                | 400V   |
| Nominal frequency                 | 50 - 60 Hz                                       |
| Protection type IP                | IP44   |
| Contact carrier                   | standard   |
| X-CONTACT                         | no   |
| Connection                        | insulation displacement technology - TwinCONTACT |
| Screw drive external screws       | PZ2, slot  |
| Pilot contact                     | without pilot contact                            |
| Pilot contact switch              | no   |
| Cable entry at the top            | 1 x M20  |
| Cable entry at the bottom         | 1 x M20 (blind)                                  |
| Blind cable entry at the rear     | no   |
| Enclosure base can be turned 180° | yes  |
| Insertion direction               | angled   |
| Inclination                       | 25°  |
| Type of mounting                  | internal fixing                                  |
| Highly resistant to chemicals     | no   |
| Military version                  | no   |
| Lockable                          | no   |
| Strip length solid conductor      | 12 mm  |
| Conductor cross-section min.      | 1.5 mm <sup>2</sup>                              |

|                              |                   |
|------------------------------|-------------------|
| Wall mounted receptacle      | 3331              |
| Conductor cross-section max. | 4 mm <sup>2</sup> |
| Weight (net)                 | 240 g             |
| Packaging unit               | 10 pcs            |
| Quantity per pallet          | 660 pcs           |
| EAN / identification number  | 4015394206347     |

| Permissible ambient conditions    |        |       |
|-----------------------------------|--------|-------|
|                                   | Min.   | Max.  |
| Permissible ambient temperature   | -25 °C | 40 °C |
| Average temperature over 24 hours |        | 35 °C |

| Material properties |                                   |
|---------------------|-----------------------------------|
| Base                | PA6 light grey [similar RAL 7035] |
| Upper part          | PA6 light grey [similar RAL 7035] |
| Hinged lid          | PC red [similar RAL 3013]         |
| External screws     | steel galvanised                  |

**Material resistance**

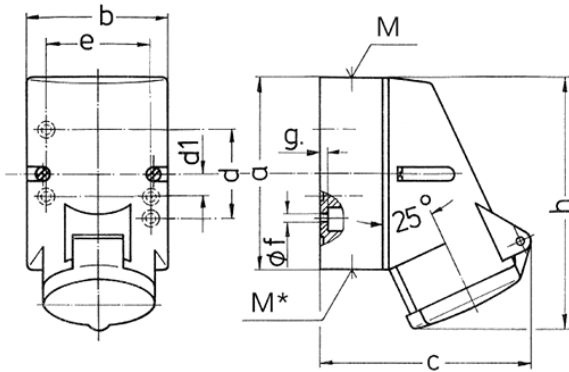
The material resistance overview can be found on the website in the section “Knowledge” - “Product knowledge” - “Materials”.

| Material and environmental properties |     |
|---------------------------------------|-----|
| RoHS 2011/65/EU incl. 2015/863/EU     | ✓   |
| POP regulation (EU) 2019/1021         | ✓   |
| Halogen-free                          | yes |

Regulations and Standards

|                           |                              |
|---------------------------|------------------------------|
| Norm                      | DIN EN IEC 60309-2           |
| Declaration of Conformity | CE                           |
| Test label                | CB Zertifikat, VDE, EAC, CQC |

# Dimensional Drawing



| Drawing    | Amp.  | 16                        |     |     |
|------------|---|---------------------------|-----|-----|
|            |   | Poles                     |     |     |
| 1 MB 209   |   | 3                         | 4   | 5   |
| Dim. in mm | a   | 87                        | 100 | 100 |
|            | b   | 64                        | 75  | 75  |
|            | c   | 99                        | 110 | 113 |
|            | d   | 40                        | -   | -   |
|            | d1  | -                         | 11  | 11  |
|            | e   | 50                        | 59  | 59  |
|            | f   | 4.5                       | 5   | 5   |
|            | g.  | 4                         | 4   | 4   |
|            | h   | 115                       | 125 | 128 |
|            | M   | 20                        | 20  | 20  |
|            | M*  | M20 (blind) to be cut out |     |     |
|            | Max. cable diam. (mm)   | 15                        | 15  | 15  |
|            | Terminal for cond. cross section (mm <sup>2</sup> ) min.-max. | 1.5                       | 1.5 | 1.5 |
|            | -4  | -4                        | -4  |     |