

# Louver Stainless Steel Overpressure EL-SS-OP



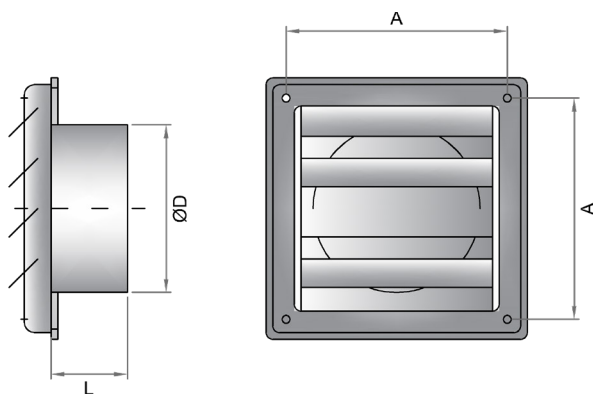
## Specifications

- Item code: EL-SS-OP
- The shutter prevents reverse airflow.
- Water-resistant.
- The shutter opens automatically in case of overpressure.
- Airflow easy to measure
- Easy to connect
- Available sizes in mm: 100, 125, 150

## Description

The Louver Stainless Steel Overpressure with moving slats acts as an external air grille for the exhaust of air a your ventilation duct. When there is excess pressure, the slats will open and allow air to pass through. Because of the slats, air flow back through is not possible. In addition, the outdoor air grille is resistant to water and wind when the blades are closed. The blades move independently of each other.

## Dimensions



## Dimensions

Model	ØD(mm)	AXA (mm)	L (mm)
EL-SS-OP100	100	137X137	53
EL-SS-OP125	125	167X167	52
EL-SS-OP150	150	167X167	62