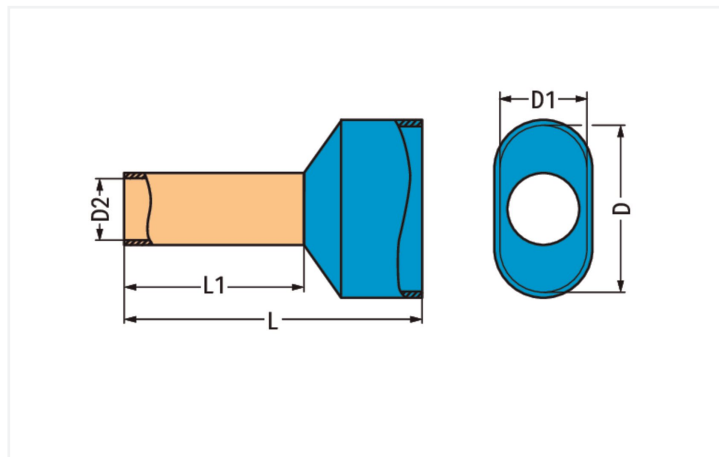


## Data Sheet | Item Number: 216-541

Twin ferrule; insulated; Sleeve for 2 x 0.75 mm<sup>2</sup> / 2 x AWG 18; 12 mm long; gray

<https://www.wago.com/216-541>



Color: ■ gray

Similar to illustration

### Technical data

Sleeve cross-section (AWG)	18 AWG
Sleeve for	0.75 mm <sup>2</sup>

### Connection data

Strip length	12 mm / 0.47 inches
Fine-stranded conductor	0.75 mm <sup>2</sup> / 18 AWG

### Physical data

Length	18 mm
Crimp length (length of sleeve)	12 mm
Diameter	5.5 mm
Inner Diameter plastic collar	3 mm
Diameter crimp sleeve inside	1.7 mm

### Material data

Color	gray
Fire load	0 MJ
Weight	0.2 g

### Commercial data

ETIM 8.0	EC000005
ETIM 7.0	EC000005
PU (SPU)	500 pcs
Packaging type	Bag
Country of origin	US
GTIN	4055143492430
Customs tariff number	85369010000

### Environmental Product Compliance

RoHS Compliance Status

Compliant, No Exemption

### Downloads

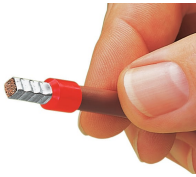
#### Environmental Product Compliance

##### Compliance Search

Environmental Product  
Compliance 216-541



### Installation Notes



A perfect gas-tight crimp – both electrical-ly and mechanically reliable