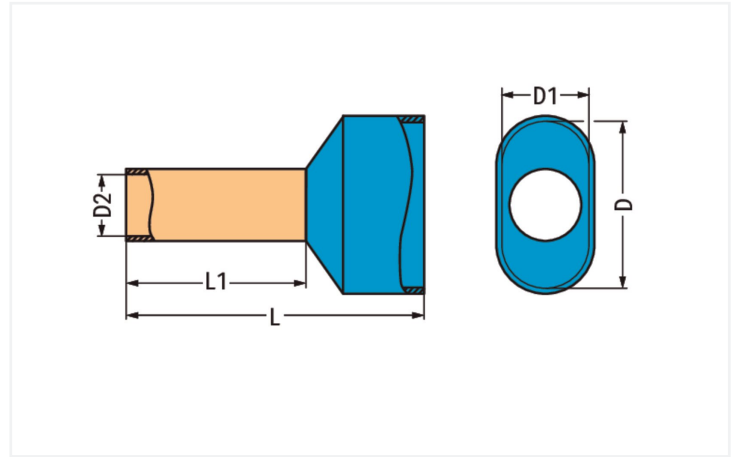


# Data Sheet | Item Number: 216-530

Ferrule; white

<https://www.wago.com/216-530>



Color: ■ white

Similar to illustration

## Physical data

Length	16 mm
Crimp length (length of sleeve)	10 mm
Diameter	5 mm
Inner Diameter plastic collar	3 mm
Diameter crimp sleeve inside	1.4 mm

## Material data

Color	white
Fire load	0 MJ
Weight	0.6 g

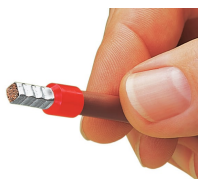
## Commercial data

ETIM 8.0	EC000005
ETIM 7.0	EC000005
PU (SPU)	500 pcs
Packaging type	Box
Country of origin	DE
GTIN	4055143323819
Customs tariff number	85369010000

## Environmental Product Compliance

RoHS Compliance Status	Compliant, No Exemption
------------------------	-------------------------

## Installation Notes



A perfect gas-tight crimp – both electrical-ly and mechanically reliable