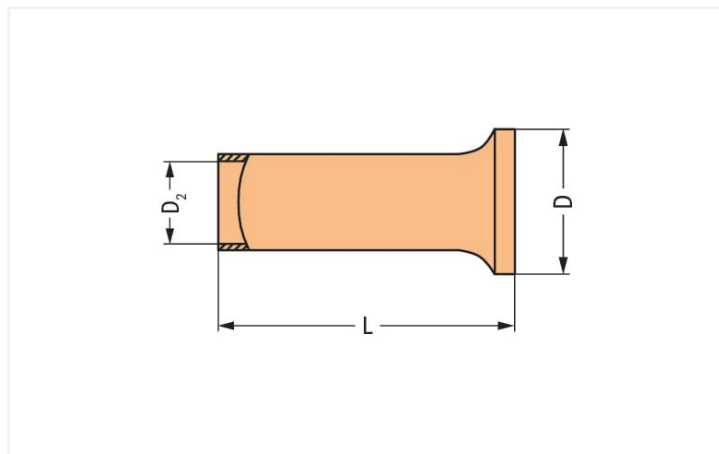


## Data Sheet | Item Number: 216-435

Ferrule; Sleeve for 50 mm<sup>2</sup> / AWG 1; uninsulated; electro-tin plated; electrolytic copper; gastight crimped; acc. to DIN 46228, Part 1/08.92

<https://www.wago.com/216-435>



Dimensions in mm

### Technical data

Sleeve cross-section (AWG)	1 AWG
Sleeve for	50 mm <sup>2</sup>

### Connection data

Strip length	35 mm / 1.38 inches
--------------	---------------------

### Physical data

Length	35 mm
Diameter	13 mm
Diameter crimp sleeve inside	10.3 mm

### Material data

Fire load	0 MJ
Weight	3 g

### Commercial data

Product Group	2 (Terminal Block Accessories)
eCl@ss 10.0	27-40-02-01
eCl@ss 9.0	27-40-02-01
ETIM 8.0	EC000005
ETIM 7.0	EC000005
PU (SPU)	50 pcs
Packaging type	Box
Country of origin	DE
GTIN	4050821134213
Customs tariff number	85369010000

### Environmental Product Compliance

RoHS Compliance Status	Compliant, No Exemption
------------------------	-------------------------

### Downloads

#### Environmental Product Compliance

Compliance Search	
Environmental Product Compliance 216-435	<a href="#">↓</a>

### Documentation

Bid Text			
216-435	19.02.2019	xml 2.77 KB	<a href="#">↓</a>
216-435	11.09.2017	doc 24.50 KB	<a href="#">↓</a>

### Installation Notes



A perfect gas-tight crimp – both electrical-ly and mechanically reliable