

Air Valve Plastic Clips

AVP-C



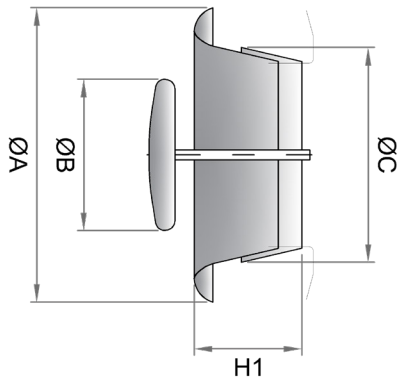
Specifications

- Item code: AVP-C
- Excellent noise characteristics
- Sound-absorbing design that reduces the risk of crosstalk and noise
- Suitable for both wall and ceiling mounting
- Moltopren foam ring preventing soiling of ceiling and walls
- Available sizes in mm: 100, 125, 160, 200

Description

To be used as exhaust valve for the exhaust of ventilation air. The valve is equipped with clamping clips and infinitely is to the desired air volume. The valve is perfect for mounting in a pipe or opening in the wall or ceiling. Due to the materials used, the valve is suitable for use in damp rooms. This product is also sound absorbing, which reduces the risk of crosstalk and noise.

Dimensions



Dimensions

Model	ØA (mm)	ØB (mm)	ØC (mm)	H1 (mm)
AVP-C100	140	80	69	60
AVP-C125	165	104	92	60
AVP-C160	200	138	126	62
AVP-C200	242	177	170	65

Properties

AVP-C-100

m ³ /h	dB(A)	PA
25	<20	18
50	<20	34
100	N/A	N/A

AVP-C-125

m ³ /h	dB(A)	PA
50	<20	38
100	34	72
200	N/A	N/A

AVP-C-160

m ³ /h	dB(A)	PA
100	20	40
200	35	80
300	34	125

AVP-C-200

m ³ /h	dB(A)	PA
100	<20	18
200	24	34
300	30	45