

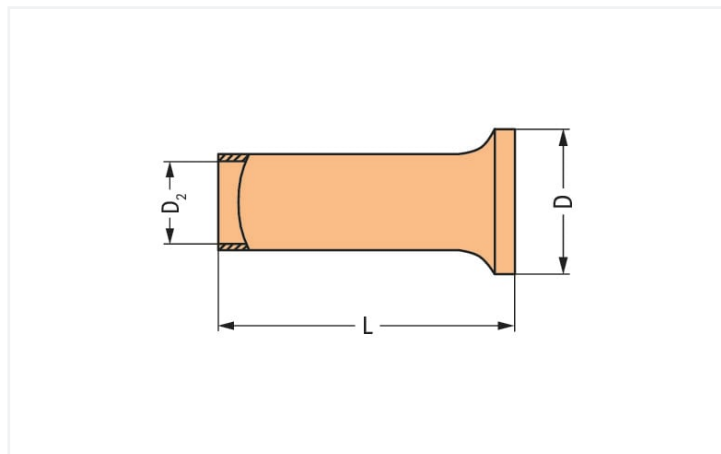
## Data Sheet | Item Number: 216-424

Ferrule; Sleeve for 35 mm<sup>2</sup> / AWG 2; uninsulated; electro-tin plated; electrolytic copper; gastight crimped; acc. to DIN 46228, Part 1/08.92; silver-colored

<https://www.wago.com/216-424>



Color: ■ silver-colored



Dimensions in mm

### Technical data

Sleeve cross-section (AWG)	2 AWG
Sleeve for	35 mm <sup>2</sup>

### Connection data

Strip length	30 mm / 1.18 inches
--------------	---------------------

### Physical data

Length	30 mm
Diameter	11 mm
Diameter crimp sleeve inside	8.3 mm

### Material data

Color	silver-colored
Fire load	0 MJ
Weight	1.5 g

### Commercial data

Product Group	2 (Terminal Block Accessories)
eCl@ss 10.0	27-40-02-01
eCl@ss 9.0	27-40-02-01
ETIM 8.0	EC000005
ETIM 7.0	EC000005
PU (SPU)	50 pcs
Packaging type	Box
Country of origin	DE
GTIN	4050821134190
Customs tariff number	85369010000

Environmental Product Compliance	
RoHS Compliance Status	Compliant, No Exemption

## Downloads

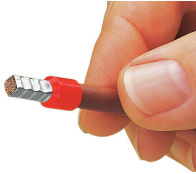
### Environmental Product Compliance

Compliance Search	
Environmental Product Compliance 216-424	<a href="#">↓</a>

## Documentation

Bid Text			
216-424	19.02.2019	xml 2.77 KB	<a href="#">↓</a>
216-424	11.09.2017	doc 24.00 KB	<a href="#">↓</a>

## Installation Notes



A perfect gas-tight crimp – both electrical-ly and mechanically reliable