



Features

- Ceiling / wall luminaire with integrated LED. Perfect solution for hallways, circulation spaces or foyers. Body Size diameter 400mm. Besa mounting box compatible, hole distance 51 & 78mm. DualTone functionality enables switch between 3000K and 4000K colour temperatures. With the help of DIP Switch multiple lumen outputs can be set up in 4 steps (4000K: 21W 2500lm, 25W 3000lm, 29W 3500lm, 33W 4000lm). Efficacy up to 120lm/W. Non-dimmable. IK03, IP54. Low maintenance with lifespan 120,000 hours L70:B50.

Product Overview

Product name	START Surface IP54 Multipower 4000lm 830/840
Technology	LED
Cap/Base	N/A
Housing	PC Polycarbonate
Mount	Ceiling surface mounting
E-number FI	4279509
Fixture luminous flux (lm)	4000
Luminaire efficacy (lm/W)	120
Light colour	Warm White or Neutral White
CRI (Ra)	80
Colour Variation Initial (SDCM)	6
Photobiological Risk Group	RG1
Total power consumption (W)	33
Electrical protection	Class II
Control gear type	LED driver constant current
LED Flickering Rate	Low (6% - 20%)
Housing colour	RAL 9003 - Signal white
IP rating	IP54

START Surface IP54 Multipower 4000lm 830/840 0043409

IK rating

IK03

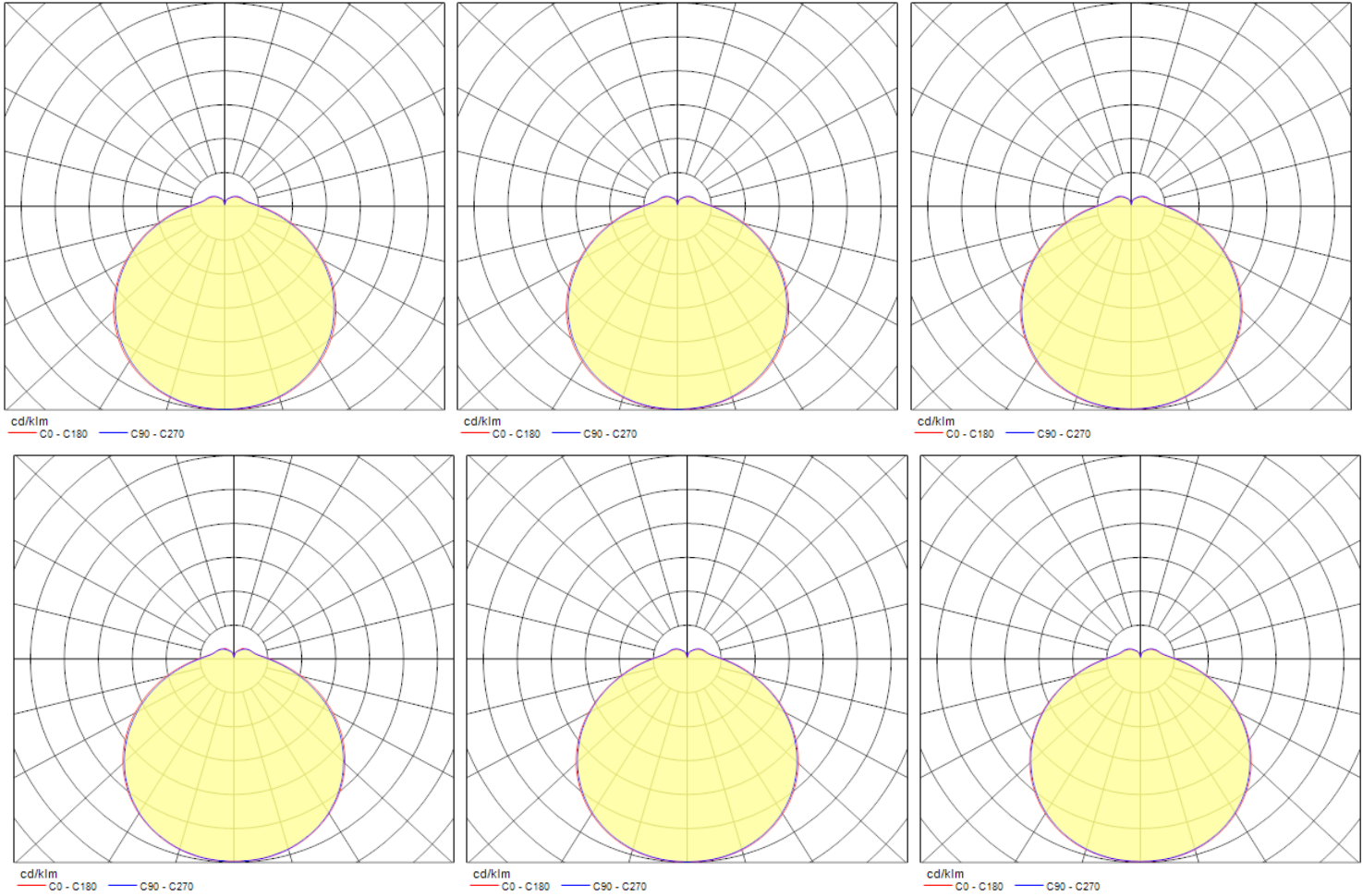
Product EAN number

5410288434094

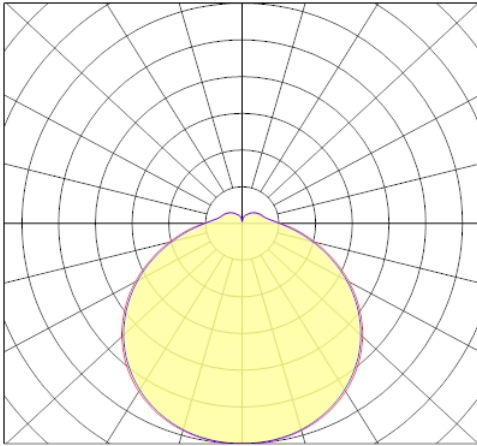
Warranty

5 years

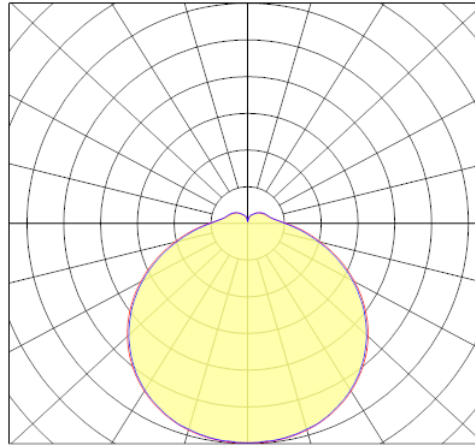
Photometry



START Surface IP54 Multipower 4000lm 830/840 0043409



cd/klm
C0 - C180 C90 - C270



cd/klm
C0 - C180 C90 - C270

Distance [m]	Cone diameter [m]	E(0°)	E(C90)	E(C0)	Illuminance [lx]
0.5	2.07 2.13	3112	64.2°	64.9°	148
1.0	4.14 4.27	778	64.2°	64.9°	37
1.5	6.21 6.40	345	64.2°	64.9°	16
2.0	8.27 8.54	195	64.2°	64.9°	9
2.5	10.34 10.67	124	64.2°	64.9°	5
3.0	12.41 12.81	86	64.2°	64.9°	4

Distance [m] Cone diameter [m]
C0 - C180 (Half beam angle: 129.8°)
C90 - C270 (Half beam angle: 128.4°)

Distance [m]	Cone diameter [m]	E(0°)	E(C90)	E(C0)	Illuminance [lx]
0.5	2.07 2.13	3112	64.2°	64.9°	128
1.0	4.14 4.27	778	64.2°	64.9°	32
1.5	6.21 6.40	345	64.2°	64.9°	14
2.0	8.27 8.54	195	64.2°	64.9°	8
2.5	10.34 10.67	124	64.2°	64.9°	5
3.0	12.41 12.81	86	64.2°	64.9°	3

Distance [m] Cone diameter [m]
C0 - C180 (Half beam angle: 129.8°)
C90 - C270 (Half beam angle: 128.4°)

Distance [m]	Cone diameter [m]	E(0°)	E(C90)	E(C0)	Illuminance [lx]
0.5	2.07 2.14	2248	64.2°	65.0°	98
1.0	4.14 4.29	562	64.2°	65.0°	23
1.5	6.21 6.43	250	64.2°	65.0°	10
2.0	8.27 8.56	141	64.2°	65.0°	6
2.5	10.34 10.72	90	64.2°	65.0°	4
3.0	12.41 12.87	62	64.2°	65.0°	2

Distance [m] Cone diameter [m]
C0 - C180 (Half beam angle: 130.0°)
C90 - C270 (Half beam angle: 128.4°)

Distance [m]	Cone diameter [m]	E(0°)	E(C90)	E(C0)	Illuminance [lx]
0.5	2.07 2.13	2877	64.2°	64.9°	111
1.0	4.14 4.27	699	64.2°	64.9°	28
1.5	6.21 6.40	297	64.2°	64.9°	12
2.0	8.27 8.54	167	64.2°	64.9°	7
2.5	10.34 10.67	107	64.2°	64.9°	4
3.0	12.41 12.81	74	64.2°	64.9°	3

Distance [m] Cone diameter [m]
C0 - C180 (Half beam angle: 129.8°)
C90 - C270 (Half beam angle: 128.4°)

Distance [m]	Cone diameter [m]	E(0°)	E(C90)	E(C0)	Illuminance [lx]
0.5	2.09 2.13	3346	64.4°	64.8°	136
1.0	4.17 4.25	837	64.4°	64.8°	34
1.5	6.26 6.38	372	64.4°	64.8°	15
2.0	8.35 8.50	209	64.4°	64.8°	8
2.5	10.44 10.63	134	64.4°	64.8°	5
3.0	12.52 12.75	93	64.4°	64.8°	4

Distance [m] Cone diameter [m]
C0 - C180 (Half beam angle: 129.6°)
C90 - C270 (Half beam angle: 128.8°)

Distance [m]	Cone diameter [m]	E(0°)	E(C90)	E(C0)	Illuminance [lx]
0.5	2.05 2.13	2879	64.0°	64.9°	110
1.0	4.10 4.27	720	64.0°	64.9°	27
1.5	6.15 6.40	320	64.0°	64.9°	12
2.0	8.20 8.54	180	64.0°	64.9°	7
2.5	10.25 10.67	115	64.0°	64.9°	4
3.0	12.30 12.81	80	64.0°	64.9°	3

Distance [m] Cone diameter [m]
C0 - C180 (Half beam angle: 129.8°)
C90 - C270 (Half beam angle: 128.0°)

Distance [m]	Cone diameter [m]	E(0°)	E(C90)	E(C0)	Illuminance [lx]
0.5	2.07 2.15	2389	64.2°	65.1°	89
1.0	4.14 4.31	597	64.2°	65.1°	22
1.5	6.21 6.46	265	64.2°	65.1°	10
2.0	8.27 8.62	149	64.2°	65.1°	6
2.5	10.34 10.77	96	64.2°	65.1°	4
3.0	12.41 12.93	66	64.2°	65.1°	3

Distance [m] Cone diameter [m]
C0 - C180 (Half beam angle: 130.2°)
C90 - C270 (Half beam angle: 128.4°)

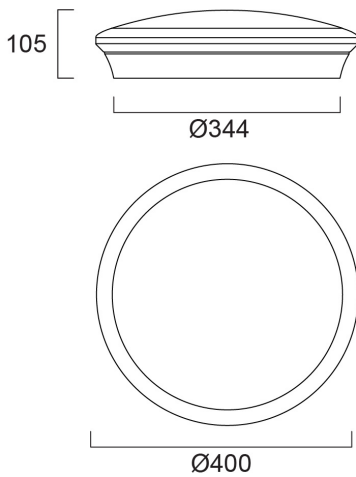
START Surface IP54 Multipower 4000lm 830/840 0043409

Distance [m]	Cone diameter [m]	E(0°)	E(C90)	E(C0)	Illuminance [lx]
0.5	2.08 2.13	3630	64.3° 156	64.8° 148	
1.0	4.16 4.25	908	64.3° 39	64.8° 37	
1.5	6.23 6.38	426	64.3° 17	64.8° 16	
2.0	8.31 8.50	239	64.3° 10	64.8° 9	
2.5	10.39 10.63	153	64.3° 6	64.8° 6	
3.0	12.47 12.75	106	64.3° 4	64.8° 4	

Distance [m] Cone diameter [m] Illuminance [lx]

— C0 - C180 (Half beam angle: 129.6°)
— C90 - C270 (Half beam angle: 128.6°)

Technical drawings



Data table

GENERAL DATA

Product name	START Surface IP54 Multipower 4000lm 830/840
Technology	LED
Cap/Base	N/A
Housing	PC Polycarbonate

START Surface IP54 Multipower 4000lm 830/840 0043409

Mount	Ceiling surface mounting
Operating temperature range (°C)	-20°C...+40°C
E-number FI	4279509
Warranty	5 years

OPTICAL DATA

Fixture luminous flux (lm)	4000
Luminaire efficacy (lm/W)	120
Correlated colour temperature range (K)	3000 - 4000
Light colour	Warm White or Neutral White
CRI (Ra)	80
Colour Variation Initial (SDCM)	6
Photobiological Risk Group	RG1

ELECTRICAL DATA

Total power consumption (W)	33
Primary Supply/Product voltage - min (V)	220.0
Lamp power factor	0.9
Electrical protection	Class II
Control gear required	No
Control gear type	LED driver constant current
Drive current (mA)	176
Inrush Current (A)	18
Inrush Duration (µs)	100
Glow Wire Test (°C)	850
Energy Efficiency Class (A->G) of contained light source	C
Nominal Frequency (Hz)	50/60Hz
LED Flickering Rate	Low (6% - 20%)
Max. products per 10A C Breaker	31
Max. products per 13A C Breaker	40
Max. products per 16A C Breaker	50
Max. products per 20A B Breaker	37

START Surface IP54 Multipower 4000lm 830/840 0043409

Connectable conductor cross section - Max (mm ²)	1.5
--	-----

LIFETIME DATA

Lifespan L70 B50	120000
Lifespan L70 B20	120000
Lifespan L70 B10	120000
Lifespan L80 B50	105000
Lifespan L80 B20	95000
Lifespan L80 B10	89000
Lifespan L90 B50	51000
Lifespan L90 B20	47000
Lifespan L90 B10	44000

PHYSICAL DATA

Housing colour	RAL 9003 - Signal white
IP rating	IP54
IK rating	IK03
Diffuser finish	Opal
Diffuser material	PMMA Acrylic
Nominal Product Diameter (mm)	400
Weight (kg)	1.09

PACKAGING

Product EAN number	5410288434094
Packaging single width (cm)	43.0
Packaging single depth (cm)	11.5
DUN14 (outer)	15410288434091
Packaging outer length / height (cm)	60.0

SAFETY DATA

Optimal operating condition (°C)	-20-40
Special purpose lamp	No



**START Surface IP54 Multipower 4000lm 830/840
0043409**

Dry applications use only	No
Suitable for household illumination	No