

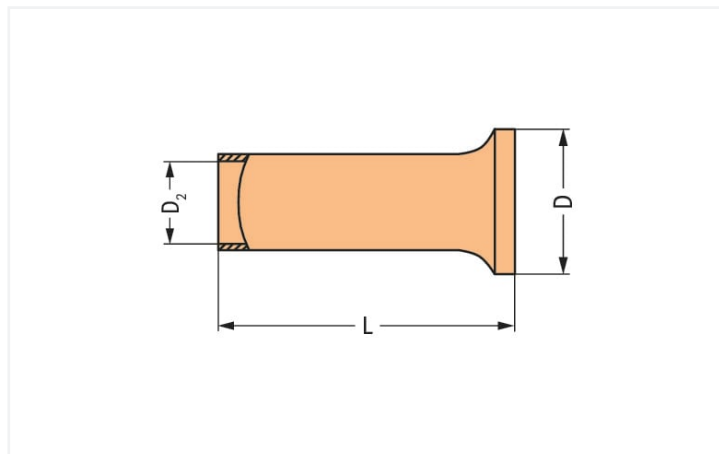
Data Sheet | Item Number: 216-414

Ferrule; Sleeve for 35 mm² / AWG 2; uninsulated; electro-tin plated; electrolytic copper; gastight crimped; acc. to DIN 46228, Part 1/08.92; silver-colored

<https://www.wago.com/216-414>



Color: ■ silver-colored



Dimensions in mm

Technical data

| | |
|----------------------------|--------------------|
| Sleeve cross-section (AWG) | 2 AWG |
| Sleeve for | 35 mm ² |

Connection data

| | |
|--------------|---------------------|
| Strip length | 25 mm / 0.98 inches |
|--------------|---------------------|

Physical data

| | |
|------------------------------|--------|
| Length | 25 mm |
| Diameter | 11 mm |
| Diameter crimp sleeve inside | 8.3 mm |

Material data

| | |
|-----------|----------------|
| Color | silver-colored |
| Fire load | 0 MJ |
| Weight | 1.3 g |

Commercial data

| | |
|-----------------------|--------------------------------|
| Product Group | 2 (Terminal Block Accessories) |
| eCl@ss 10.0 | 27-40-02-01 |
| eCl@ss 9.0 | 27-40-02-01 |
| ETIM 8.0 | EC000005 |
| ETIM 7.0 | EC000005 |
| PU (SPU) | 50 pcs |
| Packaging type | Box |
| Country of origin | DE |
| GTIN | 4050821134183 |
| Customs tariff number | 85369010000 |

Environmental Product Compliance

| | |
|------------------------|-------------------------|
| RoHS Compliance Status | Compliant, No Exemption |
|------------------------|-------------------------|

Downloads

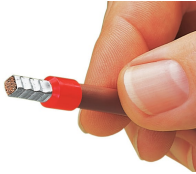
Environmental Product Compliance

| | |
|--|-------------------|
| Compliance Search | |
| Environmental Product Compliance 216-414 | ↓ |

Documentation

| Bid Text | | | |
|----------|------------|-----------------|-------------------|
| 216-414 | 19.02.2019 | xml 2.77 KB | ↓ |
| 216-414 | 11.09.2017 | doc 24.00 KB | ↓ |

Installation Notes



A perfect gas-tight crimp – both electrical-ly and mechanically reliable