

36 717 882 Product version from 4/1/2024



- 240mm projection
- fixed spout
- circular, air-enriched flow
- hole diameter valve 35 mm
- hole diameter spout 35 mm
- rosette Ø 55 mm
- max. flow 7 l/min
- lead-free
- WRAS
- This product can help a building meet the requirements of Green Building Rating Systems, e.g. LEED®, BREEAM®, DGNB

	Platinum	36 717 882-08
	Chrome	36 717 882-00
	Brushed Platinum	36 717 882-06
	Dark Chrome	36 717 882-19
	Brushed Durabronze (23kt Gold)	36 717 882-28
	Matte Black	36 717 882-33
	Brushed Gold (PVD)	36 717 882-37
	Brushed Dark Brass (PVD)	36 717 882-39
	Brushed Bronze (PVD)	36 717 882-42
	Brushed Dark Bronze (PVD)	36 717 882-43
	Brushed Champagne (22kt Gold)	36 717 882-46
	Champagne (22kt Gold)	36 717 882-47
	Brushed Chrome	36 717 882-93
	Brushed Dark Platinum	36 717 882-99

Required miscellaneous



- Concealed wall-mounted mixer variable positioning -** 35 720 970 90
- min. recess depth 85 mm
  - max. recess depth 145 mm

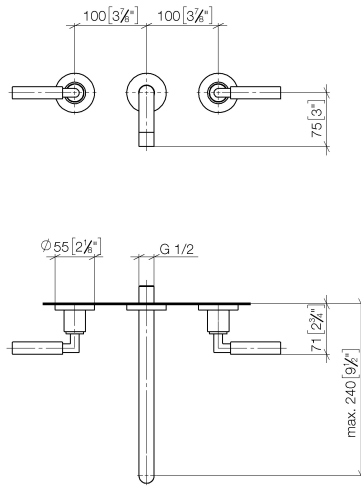
Required miscellaneous



- Concealed wall-mounted mixer centred spout -** 35 700 970 90
- min. recess depth 85 mm
  - max. recess depth 145 mm

36 717 882 Product version from 4/1/2024

mm [inches]



Flow rate chart



Codes & Standards

DIN 4109	EN 200	ISO 3822	Scottish Water Byelaws
UK Water Supply Regulations	Ü-Zeichen	VA-Zeichen	XP P 41-280



## TARA Wall-mounted basin mixer without pop-up waste - Platinum

TARA

36 717 882 Product version from 4/1/2024

### Certificates and sustainability

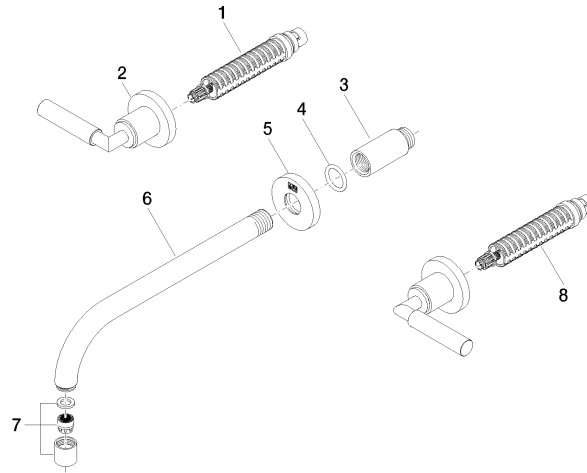
LGA\_18

WRAS\_2107

ETA\_19

ACS\_20 ACC LY

EPD-DOR-20230287  
-IBA1-EN  
Environmental.prod  
uct-declarat



### Spare parts list

No.	Item Number	Name	Quantity used	Delivery time
8	90 90 03 157 00 90	Head part clockwise closing 1/2" -	1.00	14
6	04 28 22 105 10-08	Spout 240 mm - Platinum	1.00	54
5	09 27 22 503-08	Rosette DB logo Ø 55 x Ø 22 x 9 mm - Platinum	1.00	54
2	36 310 882-08	TARA Wall valve - Platinum	2.00	-
Spare part can no longer be ordered, please order the replacement item				
3	09 24 03 081 10 90	Extension 1/2" x 50 mm -	1.00	14
4	90 14 10 026 00 90	O-Ring 20,5 x 3,5 mm -	1.00	14
7	90 23 01 019 00-08	Aerator M18x1-IG 7,0 l/min. - Platinum	1.00	54
1	90 90 03 156 00 90	Head part anti-clockwise closing 1/2" -	1.00	14