

Features

- Ceiling / wall luminaire with integrated LED. Perfect solution for hallways, circulation spaces or foyers. Body Size diameter 300mm. Besa mounting box compatible, hole distance 51 & 78mm. DualTone functionality enables switch between 3000K and 4000K colour temperatures. With the help of DIP Switch multiple lumen outputs can be set up in 4 steps (4000K: 6W 500lm, 9.3W 1000lm, 13.5W 1500lm, 17.5W 2000lm). Efficacy up to 114lm/W. Supplied with integrated Microwave sensor for automatic on-off presence control. Non-dimmable. IK03, IP54. Low maintenance with lifespan 120,000 hours L70:B50.

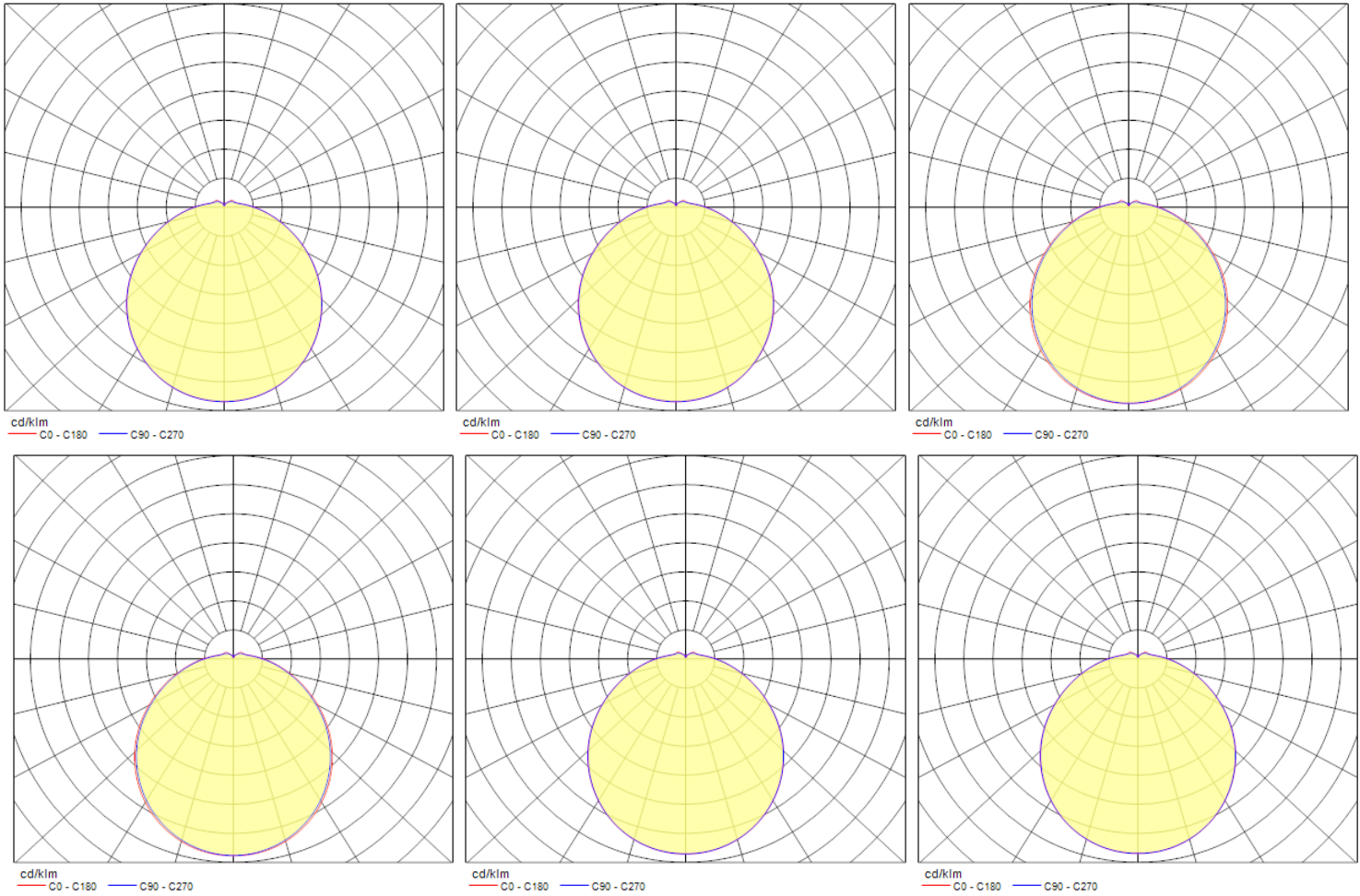
Product Overview

Product name	START Surface IP54 Multipower MW 2000lm 830/840
Technology	LED
Cap/Base	N/A
Housing	PC Polycarbonate
Mount	Ceiling surface mounting
E-number FI	4279505
Fixture luminous flux (lm)	2000
Luminaire efficacy (lm/W)	114
Light colour	Warm White or Neutral White
CRI (Ra)	80
Colour Variation Initial (SDCM)	6
Photobiological Risk Group	RG1
Total power consumption (W)	17.5
Electrical protection	Class II
Control gear type	LED driver constant current
LED Flickering Rate	Low (6% - 20%)
Housing colour	RAL 9003 - Signal white

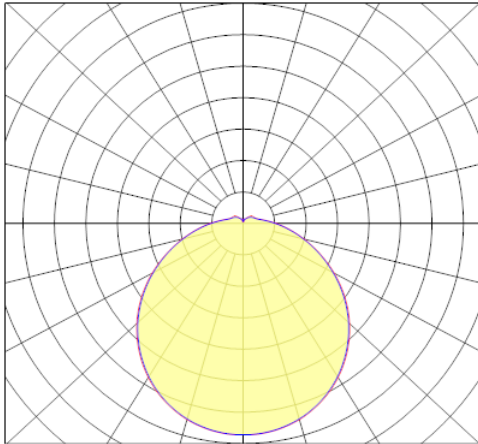
START Surface IP54 Multipower MW 2000lm 830/840 0043406

IP rating	IP54
IK rating	IK03
Product EAN number	5410288434063
Warranty	5 years

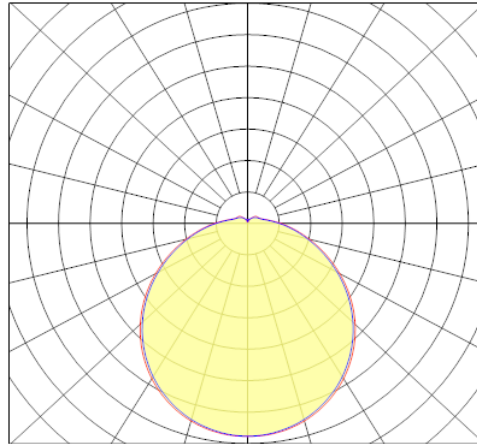
Photometry



START Surface IP54 Multipower MW 2000lm 830/840 0043406



cd/klm
— C0 - C180 — C90 - C270



cd/klm
— C0 - C180 — C90 - C270

Distance [m]	Cone diameter [m]	E(0°) E(C90) E(C0)	2000 118 117
0.5	1.77 1.78	E(0°) E(C90) 60.6° E(C0) 60.7°	118 117
1.0	3.55 3.56	E(0°) E(C90) 60.6° E(C0) 60.7°	500 33 29
1.5	5.32 5.35	E(0°) E(C90) 60.6° E(C0) 60.7°	222 13 13
2.0	7.10 7.13	E(0°) E(C90) 60.6° E(C0) 60.7°	125 7 7
2.5	8.87 8.91	E(0°) E(C90) 60.6° E(C0) 60.7°	80 5 5
3.0	10.65 10.69	E(0°) E(C90) 60.6° E(C0) 60.7°	56 3 3

Distance [m] Cone diameter [m]
— C0 - C180 (Half beam angle: 121.4°)
— C90 - C270 (Half beam angle: 121.2°)

Distance [m]	Cone diameter [m]	E(0°) E(C90) E(C0)	1497 90 88
0.5	1.77 1.78	E(0°) E(C90) 60.5° E(C0) 60.7°	1497 90 88
1.0	3.53 3.56	E(0°) E(C90) 60.5° E(C0) 60.7°	374 22 22
1.5	5.30 5.35	E(0°) E(C90) 60.5° E(C0) 60.7°	166 10 10
2.0	7.07 7.13	E(0°) E(C90) 60.5° E(C0) 60.7°	94 6 5
2.5	8.84 8.91	E(0°) E(C90) 60.5° E(C0) 60.7°	60 4 4
3.0	10.60 10.69	E(0°) E(C90) 60.5° E(C0) 60.7°	42 2 2

Distance [m] Cone diameter [m] Illuminance [lx]
— C0 - C180 (Half beam angle: 121.4°)
— C90 - C270 (Half beam angle: 121.0°)

Distance [m]	Cone diameter [m]	E(0°) E(C90) E(C0)	1004 64 59
0.5	1.72 1.78	E(0°) E(C90) 59.8° E(C0) 60.7°	1004 64 59
1.0	3.44 3.56	E(0°) E(C90) 59.8° E(C0) 60.7°	251 16 15
1.5	5.15 5.35	E(0°) E(C90) 59.8° E(C0) 60.7°	112 7 7
2.0	6.87 7.13	E(0°) E(C90) 59.8° E(C0) 60.7°	63 4 4
2.5	8.59 8.91	E(0°) E(C90) 59.8° E(C0) 60.7°	40 3 2
3.0	10.31 10.69	E(0°) E(C90) 59.8° E(C0) 60.7°	28 2 2

Distance [m] Cone diameter [m] Illuminance [lx]
— C0 - C180 (Half beam angle: 121.4°)
— C90 - C270 (Half beam angle: 119.6°)

Distance [m]	Cone diameter [m]	E(0°) E(C90) E(C0)	541 34 32
0.5	1.72 1.77	E(0°) E(C90) 59.8° E(C0) 60.6°	541 34 32
1.0	3.44 3.55	E(0°) E(C90) 59.8° E(C0) 60.6°	135 9 8
1.5	5.15 5.32	E(0°) E(C90) 59.8° E(C0) 60.6°	60 4 4
2.0	6.87 7.10	E(0°) E(C90) 59.8° E(C0) 60.6°	34 2 2
2.5	8.59 8.87	E(0°) E(C90) 59.8° E(C0) 60.6°	22 1 1
3.0	10.31 10.65	E(0°) E(C90) 59.8° E(C0) 60.6°	15 1 1

Distance [m] Cone diameter [m] Illuminance [lx]
— C0 - C180 (Half beam angle: 121.4°)
— C90 - C270 (Half beam angle: 119.6°)

Distance [m]	Cone diameter [m]	E(0°) E(C0)	2146 128
0.5	1.77	E(0°) E(C0) 60.5°	2146 128
1.0	3.53	E(0°) E(C0) 60.5°	536 32
1.5	5.30	E(0°) E(C0) 60.5°	238 14
2.0	7.07	E(0°) E(C0) 60.5°	134 8
2.5	8.84	E(0°) E(C0) 60.5°	86 5
3.0	10.60	E(0°) E(C0) 60.5°	60 4

Distance [m] Cone diameter [m] Illuminance [lx]
— C0 - C180 (Half beam angle: 121.0°)

Distance [m]	Cone diameter [m]	E(0°) E(C0)	1605 96
0.5	1.77	E(0°) E(C0) 60.6°	1605 96
1.0	3.55	E(0°) E(C0) 60.6°	401 24
1.5	5.32	E(0°) E(C0) 60.6°	178 11
2.0	7.10	E(0°) E(C0) 60.6°	100 6
2.5	8.87	E(0°) E(C0) 60.6°	64 4
3.0	10.65	E(0°) E(C0) 60.6°	45 3

Distance [m] Cone diameter [m] Illuminance [lx]
— C0 - C180 (Half beam angle: 121.2°)

Distance [m]	Cone diameter [m]	E(0°) E(C90) E(C0)	1075 66 64
0.5	1.75 1.77	E(0°) E(C90) 60.2° E(C0) 60.6°	1075 66 64
1.0	3.49 3.55	E(0°) E(C90) 60.2° E(C0) 60.6°	269 17 15
1.5	5.24 5.32	E(0°) E(C90) 60.2° E(C0) 60.6°	119 7 7
2.0	6.98 7.10	E(0°) E(C90) 60.2° E(C0) 60.6°	67 4 4
2.5	8.73 8.87	E(0°) E(C90) 60.2° E(C0) 60.6°	43 3 3
3.0	10.48 10.65	E(0°) E(C90) 60.2° E(C0) 60.6°	30 2 2

Distance [m] Cone diameter [m] Illuminance [lx]
— C0 - C180 (Half beam angle: 121.2°)
— C90 - C270 (Half beam angle: 120.4°)

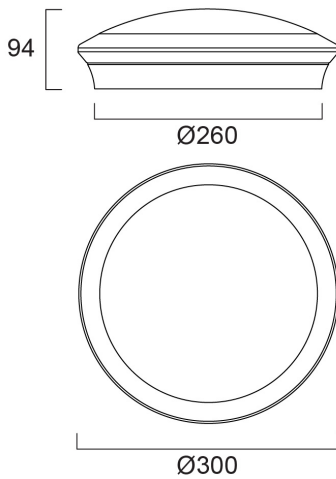
START Surface IP54 Multipower MW 2000lm 830/840 0043406

Distance [m]	Cone diameter [m]	E(0°)	E(C90)	E(C0)	Illuminance [lx]
0.5	1.72 1.78	498	32	29	
1.0	3.44 3.56	124	8	7	
1.5	5.15 5.35	55	4	3	
2.0	6.87 7.13	31	2	2	
2.5	8.59 8.91	20	1	1	
3.0	10.31 10.69	14	1	1	

Distance [m] Cone diameter [m] Illuminance [lx]

— C0 - C180 (Half beam angle: 121.4°)
— C90 - C270 (Half beam angle: 119.6°)

Technical drawings



Data table

GENERAL DATA

Product name	START Surface IP54 Multipower MW 2000lm 830/840
Technology	LED
Cap/Base	N/A

START Surface IP54 Multipower MW 2000lm 830/840 0043406

Housing	PC Polycarbonate
Mount	Ceiling surface mounting
Operating temperature range (°C)	-20°C...+40°C
E-number FI	4279505
Warranty	5 years

OPTICAL DATA

Fixture luminous flux (lm)	2000
Luminaire efficacy (lm/W)	114
Correlated colour temperature range (K)	3000 - 4000
Light colour	Warm White or Neutral White
CRI (Ra)	80
Colour Variation Initial (SDCM)	6
Photobiological Risk Group	RG1

ELECTRICAL DATA

Total power consumption (W)	17.5
Primary Supply/Product voltage - min (V)	220.0
Lamp power factor	0.8
Electrical protection	Class II
Control gear required	No
Control gear type	LED driver constant current
Drive current (mA)	100
Inrush Current (A)	3
Inrush Duration (µs)	100
Glow Wire Test (°C)	850
Energy Efficiency Class (A->G) of contained light source	C
Nominal Frequency (Hz)	50/60Hz
LED Flickering Rate	Low (6% - 20%)
Max. products per 10A C Breaker	72
Max. products per 13A C Breaker	93
Max. products per 16A C Breaker	117
Max. products per 20A B Breaker	86

START Surface IP54 Multipower MW 2000lm 830/840 0043406

Connectable conductor cross section - Max (mm ²)	1.5
--	-----

LIFETIME DATA

Lifespan L70 B50	120000
Lifespan L70 B20	120000
Lifespan L70 B10	120000
Lifespan L80 B50	105000
Lifespan L80 B20	95000
Lifespan L80 B10	89000
Lifespan L90 B50	51000
Lifespan L90 B20	47000
Lifespan L90 B10	44000

PHYSICAL DATA

Housing colour	RAL 9003 - Signal white
IP rating	IP54
IK rating	IK03
Diffuser finish	Opal
Diffuser material	PMMA Acrylic
Nominal Product Diameter (mm)	300
Weight (kg)	0.6

PACKAGING

Product EAN number	5410288434063
Packaging single width (cm)	32.0
Packaging single depth (cm)	10.0
DUN14 (outer)	15410288434060
Packaging outer length / height (cm)	62.8

SAFETY DATA

Optimal operating condition (°C)	-20-40
Special purpose lamp	No

START Surface IP54 Multipower MW 2000lm 830/840 0043406

Dry applications use only	No
Suitable for household illumination	No