

### Features

- Ceiling / wall luminaire with integrated LED. Perfect solution for hallways, circulation spaces or foyers. Body Size diameter 300mm. Besa mounting box compatible, hole distance 51 & 78mm. DualTone functionality enables switch between 3000K and 4000K colour temperatures. With the help of DIP Switch multiple lumen outputs can be set up in 4 steps (4000K: 5W 500lm, 8.3W 1000lm, 12.5W 1500lm, 16.5W 2000lm). Efficacy up to 120lm/W. Non-dimmable. IK03, IP54. Low maintenance with lifespan 120,000 hours L70:B50.

### Product Overview

Product name	START Surface IP54 Multipower 2000lm 830/840
Technology	LED
Cap/Base	N/A
Housing	PC Polycarbonate
Mount	Ceiling surface mounting
E-number FI	4279503
Fixture luminous flux (lm)	2000
Luminaire efficacy (lm/W)	120
Light colour	Warm White or Neutral White
CRI (Ra)	80
Colour Variation Initial (SDCM)	6
Photobiological Risk Group	RG1
Total power consumption (W)	16.5
Electrical protection	Class II
Control gear type	LED driver constant current
LED Flickering Rate	Low (6% - 20%)
Housing colour	RAL 9003 - Signal white
IP rating	IP54

## START Surface IP54 Multipower 2000lm 830/840 0043405

IK rating

IK03

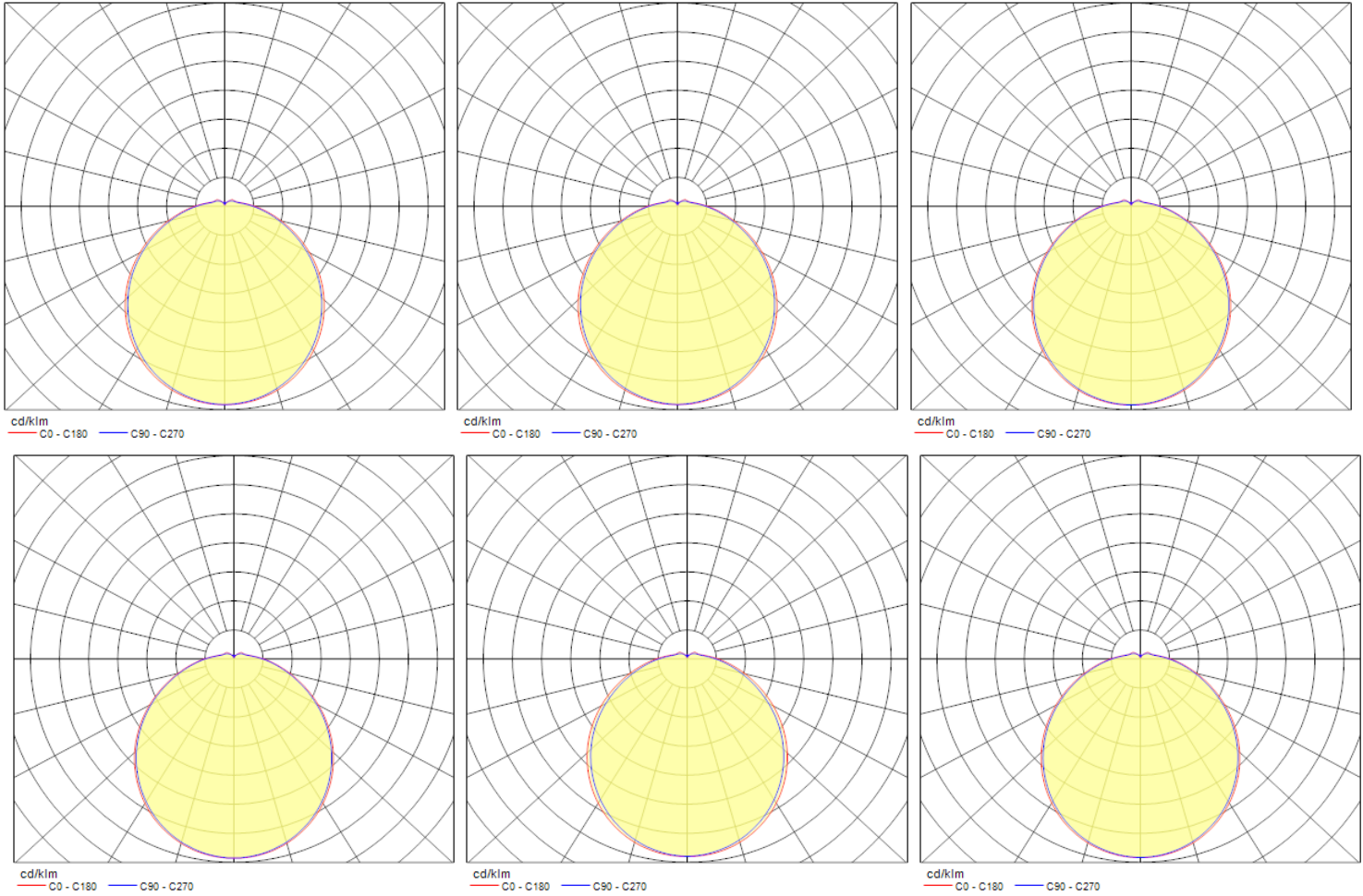
Product EAN number

5410288434056

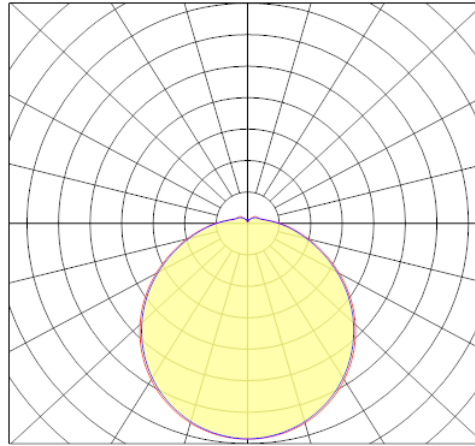
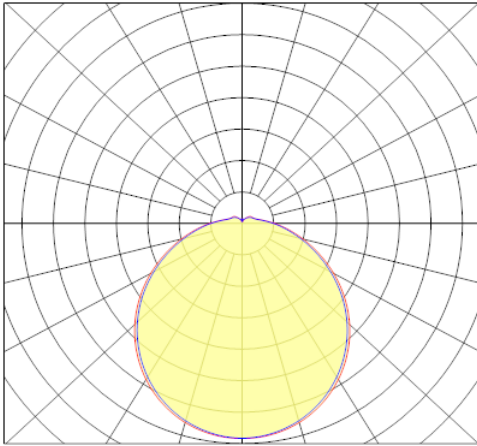
Warranty

5 years

### Photometry



## START Surface IP54 Multipower 2000lm 830/840 0043405



Distance [m]	Cone diameter [m]		Illuminance [lx]	
	C0 - C180 (Half beam angle: 120.8°)	C90 - C270 (Half beam angle: 118.4°)	E(0°) E(C90) E(C0)	
0.5	1.68 1.76		E(0°) 2041 E(C90) 137 E(C0) 123	
1.0	3.36 3.52		E(0°) 510 E(C90) 34 E(C0) 31	
1.5	5.03 5.28		E(0°) 227 E(C90) 15 E(C0) 14	
2.0	6.71 7.04		E(0°) 128 E(C90) 9 E(C0) 8	
2.5	8.39 8.80		E(0°) 82 E(C90) 5 E(C0) 5	
3.0	10.07 10.56		E(0°) 57 E(C90) 4 E(C0) 3	

Distance [m]	Cone diameter [m]		Illuminance [lx]	
	C0 - C180 (Half beam angle: 121.0°)	C90 - C270 (Half beam angle: 118.6°)	E(0°) E(C90) E(C0)	
0.5	1.68 1.77		E(0°) 1527 E(C90) 102 E(C0) 91	
1.0	3.37 3.53		E(0°) 382 E(C90) 25 E(C0) 23	
1.5	5.05 5.30		E(0°) 170 E(C90) 11 E(C0) 10	
2.0	6.74 7.07		E(0°) 96 E(C90) 6 E(C0) 6	
2.5	8.42 8.84		E(0°) 61 E(C90) 4 E(C0) 4	
3.0	10.11 10.60		E(0°) 42 E(C90) 3 E(C0) 3	

Distance [m]	Cone diameter [m]		Illuminance [lx]	
	C0 - C180 (Half beam angle: 120.2°)	C90 - C270 (Half beam angle: 118.6°)	E(0°) E(C90) E(C0)	
0.5	1.68 1.75		E(0°) 1017 E(C90) 68 E(C0) 63	
1.0	3.37 3.49		E(0°) 254 E(C90) 17 E(C0) 16	
1.5	5.05 5.24		E(0°) 113 E(C90) 8 E(C0) 7	
2.0	6.74 6.98		E(0°) 64 E(C90) 4 E(C0) 4	
2.5	8.42 8.73		E(0°) 41 E(C90) 3 E(C0) 3	
3.0	10.11 10.48		E(0°) 28 E(C90) 2 E(C0) 2	

Distance [m]	Cone diameter [m]		Illuminance [lx]	
	C0 - C180 (Half beam angle: 120.2°)	C90 - C270 (Half beam angle: 118.6°)	E(0°) E(C90) E(C0)	
0.5	1.68 1.74		E(0°) 548 E(C90) 37 E(C0) 34	
1.0	3.37 3.48		E(0°) 137 E(C90) 9 E(C0) 9	
1.5	5.05 5.22		E(0°) 61 E(C90) 4 E(C0) 4	
2.0	6.74 6.96		E(0°) 34 E(C90) 2 E(C0) 2	
2.5	8.42 8.70		E(0°) 22 E(C90) 1 E(C0) 1	
3.0	10.11 10.43		E(0°) 15 E(C90) 1 E(C0) 1	

Distance [m]	Cone diameter [m]		Illuminance [lx]	
	C0 - C180 (Half beam angle: 122.0°)	C90 - C270 (Half beam angle: 118.6°)	E(0°) E(C90) E(C0)	
0.5	1.66 1.80		E(0°) 2174 E(C90) 149 E(C0) 124	
1.0	3.33 3.61		E(0°) 543 E(C90) 37 E(C0) 31	
1.5	4.99 5.41		E(0°) 242 E(C90) 17 E(C0) 14	
2.0	6.66 7.22		E(0°) 136 E(C90) 9 E(C0) 8	
2.5	8.32 9.02		E(0°) 87 E(C90) 6 E(C0) 5	
3.0	9.99 10.82		E(0°) 60 E(C90) 4 E(C0) 3	

Distance [m]	Cone diameter [m]		Illuminance [lx]	
	C0 - C180 (Half beam angle: 120.4°)	C90 - C270 (Half beam angle: 118.6°)	E(0°) E(C90) E(C0)	
0.5	1.68 1.75		E(0°) 1540 E(C90) 109 E(C0) 101	
1.0	3.37 3.49		E(0°) 410 E(C90) 27 E(C0) 25	
1.5	5.05 5.24		E(0°) 182 E(C90) 12 E(C0) 11	
2.0	6.74 6.98		E(0°) 102 E(C90) 7 E(C0) 6	
2.5	8.42 8.73		E(0°) 66 E(C90) 4 E(C0) 4	
3.0	10.11 10.48		E(0°) 46 E(C90) 3 E(C0) 3	

Distance [m]	Cone diameter [m]		Illuminance [lx]	
	C0 - C180 (Half beam angle: 120.4°)	C90 - C270 (Half beam angle: 118.2°)	E(0°) E(C90) E(C0)	
0.5	1.67 1.75		E(0°) 1098 E(C90) 74 E(C0) 67	
1.0	3.34 3.49		E(0°) 278 E(C90) 19 E(C0) 17	
1.5	5.01 5.24		E(0°) 121 E(C90) 8 E(C0) 7	
2.0	6.68 6.98		E(0°) 68 E(C90) 5 E(C0) 4	
2.5	8.35 8.73		E(0°) 44 E(C90) 3 E(C0) 3	
3.0	10.03 10.48		E(0°) 30 E(C90) 2 E(C0) 2	

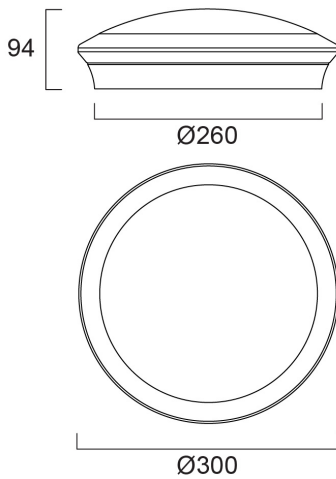
## START Surface IP54 Multipower 2000lm 830/840 0043405

Distance [m]	Cone diameter [m]	E(0°)	E(C90)	E(C0)	Illuminance [lx]
0.5	1.68 1.74	504	34	31	
1.0	3.37 3.48	126	8	8	
1.5	5.05 5.22	56	4	3	
2.0	6.74 6.96	31	2	2	
2.5	8.42 8.70	20	1	1	
3.0	10.11 10.43	14	1	1	

Distance [m]      Cone diameter [m]      Illuminance [lx]

— C0 - C180 (Half beam angle: 120.2°)  
— C90 - C270 (Half beam angle: 118.6°)

### Technical drawings



### Data table

#### GENERAL DATA

Product name	START Surface IP54 Multipower 2000lm 830/840
Technology	LED
Cap/Base	N/A
Housing	PC Polycarbonate

## START Surface IP54 Multipower 2000lm 830/840 0043405

Mount	Ceiling surface mounting
Operating temperature range (°C)	-20°C...+40°C
E-number FI	4279503
Warranty	5 years

### OPTICAL DATA

Fixture luminous flux (lm)	2000
Luminaire efficacy (lm/W)	120
Correlated colour temperature range (K)	3000 - 4000
Light colour	Warm White or Neutral White
CRI (Ra)	80
Colour Variation Initial (SDCM)	6
Photobiological Risk Group	RG1

### ELECTRICAL DATA

Total power consumption (W)	16.5
Primary Supply/Product voltage - min (V)	220.0
Lamp power factor	0.9
Electrical protection	Class II
Control gear required	No
Control gear type	LED driver constant current
Drive current (mA)	100
Inrush Current (A)	14
Inrush Duration (µs)	100
Glow Wire Test (°C)	850
Energy Efficiency Class (A->G) of contained light source	C
Nominal Frequency (Hz)	50/60Hz
LED Flickering Rate	Low (6% - 20%)
Max. products per 10A C Breaker	40
Max. products per 13A C Breaker	51
Max. products per 16A C Breaker	65
Max. products per 20A B Breaker	48

## START Surface IP54 Multipower 2000lm 830/840 0043405

Connectable conductor cross section - Max (mm <sup>2</sup> )	1.5
--	-----

### LIFETIME DATA

Lifespan L70 B50	120000
Lifespan L70 B20	120000
Lifespan L70 B10	120000
Lifespan L80 B50	105000
Lifespan L80 B20	95000
Lifespan L80 B10	89000
Lifespan L90 B50	51000
Lifespan L90 B20	47000
Lifespan L90 B10	44000

### PHYSICAL DATA

Housing colour	RAL 9003 - Signal white
IP rating	IP54
IK rating	IK03
Diffuser finish	Opal
Diffuser material	PMMA Acrylic
Nominal Product Diameter (mm)	300
Weight (kg)	0.57

### PACKAGING

Product EAN number	5410288434056
Packaging single width (cm)	32.0
Packaging single depth (cm)	10.0
DUN14 (outer)	15410288434053
Packaging outer length / height (cm)	62.8

### SAFETY DATA

Optimal operating condition (°C)	-20-40
Special purpose lamp	No



**START Surface IP54 Multipower 2000lm 830/840  
0043405**

---

<b>Dry applications use only</b>	No
<b>Suitable for household illumination</b>	No