

Data Sheet | Item Number: 216-288

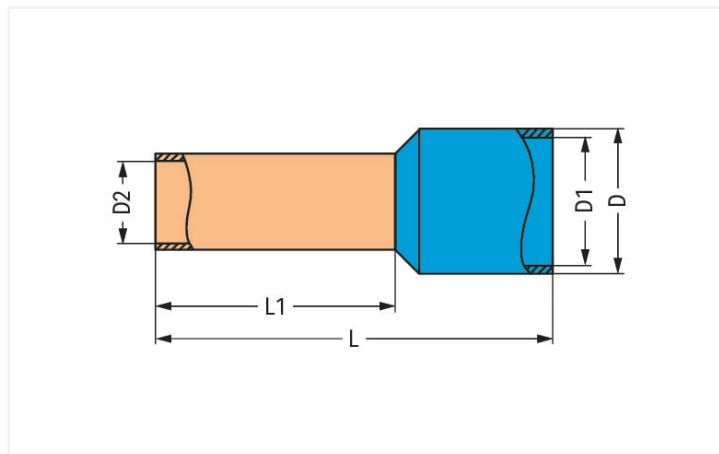
Ferrule; Sleeve for 6 mm² / AWG 10; insulated; electro-tin plated; electrolytic copper; gastight crimped; acc. to DIN 46228, Part 4/09.90; yellow

<https://www.wago.com/216-288>



Color: ■ yellow

Similar to illustration



Dimensions in mm

Technical data

Sleeve cross-section (AWG)	10 AWG
Sleeve for	6 mm ²

Connection data

Strip length	20 mm / 0.79 inches
--------------	---------------------

Physical data

Length	26 mm
Crimp length (length of sleeve)	18 mm
Diameter	6.9 mm
Inner Diameter plastic collar	6.3 mm
Diameter crimp sleeve inside	3.5 mm

Mechanical data

Suitable	2010 to 2016 Series
----------	---------------------

Material data

Color	yellow
Fire load	0.016 MJ
Weight	0.5 g

Commercial data	
Product Group	2 (Terminal Block Accessories)
eCl@ss 10.0	27-40-02-01
eCl@ss 9.0	27-40-02-01
ETIM 8.0	EC000005
ETIM 7.0	EC000005
PU (SPU)	100 pcs
Packaging type	Box
Country of origin	DE
GTIN	4055143654760
Customs tariff number	85369010000

Environmental Product Compliance	
RoHS Compliance Status	Compliant, No Exemption

Downloads

Environmental Product Compliance

Compliance Search

Environmental Product Compliance 216-288	↓
--	---

Documentation

Bid Text

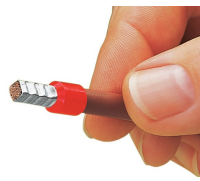
216-288	11.09.2017	doc 24.50 KB	↓
216-288	19.02.2019	xml 2.80 KB	↓

CAD/CAE-Data

CAD data

2D/3D Models 216-288	↓
----------------------	---

Installation Notes



A perfect gas-tight crimp – both electrical-ly and mechanically reliable

Subject to changes. Please also observe the further product documentation!

Current addresses can be found at: www.wago.com