

Wall mounted receptacle

Part number: 1136A



MENNEKES
Elektrotechnik GmbH & Co. KG

Aloys-Mennekes-Straße 1
57399 Kirchhundem
GERMANY

www.MENNEKES.org

Product Description

- frame terminals
- X-CONTACT
- internal fixing
- 25° inclination
- enclosure can be turned 180°
- with 6 fixing points to accommodate special terminals

Technical Details

| Wall mounted receptacle | 1136A |
|---------------------------------------|-----------------------|
| Ampere | 63A |
| Number of poles | 3p |
| Clock position | 4h |
| Nominal voltage AC | 110V |
| Nominal frequency | 50 - 60 Hz |
| Protection type IP | IP44 |
| Contact carrier | standard |
| X-CONTACT | yes |
| Connection | frame terminals |
| Contact screw drive | PZ2, slot |
| Screw drive external screws | PZ2, slot |
| Pilot contact | without pilot contact |
| Pilot contact switch | no |
| Cable entry at the top | 1 x M40 |
| Cable entry at the bottom | 2 x M40 (blind) |
| Blind cable entry at the rear | no |
| Enclosure base can be turned 180° | yes |
| Insertion direction | angled |
| Inclination | 25° |
| Type of mounting | internal fixing |
| Highly resistant to chemicals | no |
| Military version | no |
| Lockable | no |
| Tightening torque connection terminal | 2 Nm |

| | |
|--------------------------------|--------------------|
| Wall mounted receptacle | 1136A |
| Conductor cross-section min. | 6 mm ² |
| Conductor cross-section max. | 25 mm ² |
| Weight (net) | 859 g |
| Packaging unit | 5 pcs |
| Quantity per pallet | 160 pcs |
| EAN / identification number | 4015394007593 |

| Permissible ambient conditions | | |
|-----------------------------------|--------|-------|
| | Min. | Max. |
| Permissible ambient temperature | -25 °C | 40 °C |
| Average temperature over 24 hours | | 35 °C |

| Material properties | |
|---------------------|--------------------------------------|
| Base | PC/PET light grey [similar RAL 7035] |
| Upper part | PC/PET light grey [similar RAL 7035] |
| Hinged lid | PC yellow [similar RAL 1021] |
| External screws | stainless steel bare |

Material resistance

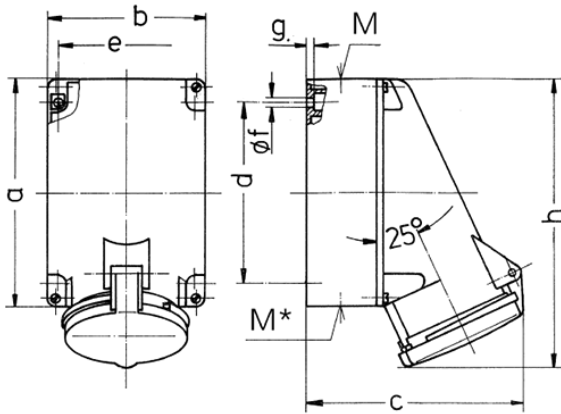
The material resistance overview can be found on the website in the section “Knowledge” - “Product knowledge” - “Materials”.

| Material and environmental properties | |
|---------------------------------------|----|
| RoHS 2011/65/EU incl. 2015/863/EU | ✓ |
| POP regulation (EU) 2019/1021 | ✓ |
| Halogen-free | no |

Regulations and Standards

| | |
|---------------------------|------------------------------|
| Norm | DIN EN IEC 60309-2 |
| Declaration of Conformity | CE |
| Test label | CB Zertifikat, VDE, EAC, CQC |

Dimensional Drawing



| Drawing 1 MB 213 | Amp. Poles | 63 | | |
|---------------------|---|-----------------------------|-------|-------|
| | | 3 | 4 | 5 |
| Dim. in mm | a | 170 | 170 | 170 |
| | b | 118 | 118 | 118 |
| | c | 164 | 164 | 164 |
| | d | 134.5 | 134.5 | 134.5 |
| | e | 103 | 103 | 103 |
| | f | 6.1 | 6.1 | 6.1 |
| | g | 6 | 6 | 6 |
| | h | 216 | 216 | 216 |
| | M | 40 | 40 | 40 |
| | M* | 2xM40 (blind) to be cut out | | |
| | Max. cable diam. (mm) | 32 | 32 | 32 |
| | Terminal for cond. cross section (mm ²) min.-max. | 6 | 6 | 6 |
| | | -25 | -25 | -25 |