

Product data sheet Spirotech

Product name

SpiroTrap -DN200 -Flange

Product properties

A steel dirt separator for standard flow rate (1.5 m/s) with a DN50 - DN300 PN16 flange connection

- Very small particles, from 5 μm (= 0.005 mm) are separated and removed
- Dirt can be drained while the system is in operation
- No shut-off valves or bypass required
- Applicable with 50/50 Ethylene Glycol / Water (Volume)
- Constant low pressure drop
- Maintenance only takes a few seconds
- No unnecessary downtime
- PN16 flange connections
- Connection diameters from DN50 - DN300, larger connection diameters on request

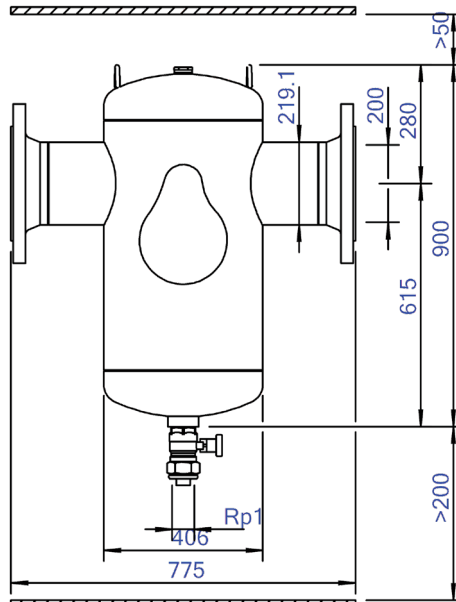
Article number

BE200F

Product image



Product dimensions



Product data sheet Spirotech

ETIM product data

| | | | |
|---|----------------|---------------------------------------|---------------------------|
| Housing material | Steel | Suitable for open system | No |
| With drain valve | Yes | Suitable for closed system | Yes |
| Housing material quality | St 37 (1.0254) | Suitable for solar | No |
| Backwash filter | No | Whirl operating principle | No |
| Medium temperature (continuous) | 0 - 110 °C | Negative pressure operating principle | No |
| Max. operating pressure | 10 bar | With dismountable filter | No |
| KVS value [m ³ /h] at ΔP 1 bar | 743.9 | Filter volume | 105 l |
| Variable flow direction | Yes | Magnet operating principle | No |
| With insulation | No | Thrust operating principle | No |
| Separator type | Dirt | With automatic de-aerator | No |
| Connection | Flange | Partial flow principle | No |
| Model | Horizontal | Principle full flow with settling | Yes |
| Nominal diameter | DN 200 | Cleaning possible during operation | Yes |
| Max. glycol mixture | 50 % | With couplers | Yes |
| Suitable for heating | Yes | Inlet/outlet offset distance | 0 mm |
| Suitable for cooling | Yes | Material of connection | Steel |
| Construction length | 775 mm | Flow-through capacity | 0 - 180 m ³ /h |
| Article compression class | PN 10 | Flange standard | DIN |
| Surface protection | Lacquered | | |

Disclaimer

This product sheet has been compiled with the greatest possible care. Nevertheless, it may contain errors or omissions. For the most current and correct information we refer you to our website

