

Technical data sheet

Junction box T160, with plug-in seal, transparent elevated cover

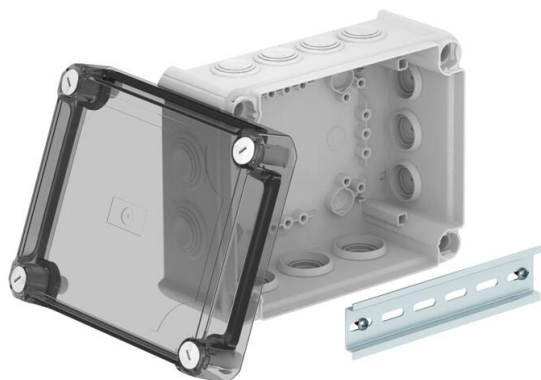
Item number: 2007754



Junction box for the connection of cables and lines indoors and in protected outdoor areas. Rectangular design with plug-in seals to the sides and knock-out entries in the bottom. Suitable for wall and ceiling mounting and on mounting panels. With the option to fasten inside and to mount via the corner domes. High, transparent cover with quick lock, sealable. Made from halogen-free and UV-resistant materials.

With hat profile rail.

Junction box according to DIN EN 60670. Flame-resistant to DIN EN 60695/2/11, test temperature 650 °C. Impact resistance IK05 according to DIN EN 50102. Clear internal dimensions: 176x135x84 mm



PP/PC Polypropylene / polycarbonate

Master data

| | |
|------------------------------------|-------------------------------|
| Item number | 2007754 |
| Type | T 160 HD TR |
| Description 1 | Junction box |
| Description 2 | with high transparent cover |
| Manufacturer | OBO |
| Dimension | 190x150x94 |
| Colour | Light grey; RAL 7035 |
| Material | Polypropylene / polycarbonate |
| Smallest sales unit | 1 |
| Unit of quantity | Piece |
| Weight | 34.18 kg |
| Weight unit | kg/100 pc. |
| CO2 Footprint (GWP) Cradle-to-Gate | 1,6554 kg CO2e / 1 Piece |

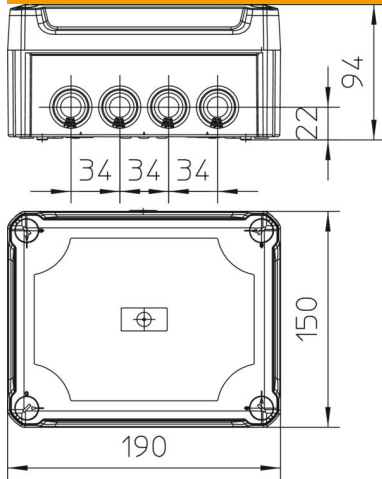
Technical data sheet

Junction box T160, with plug-in seal, transparent elevated cover

Item number: 2007754



Dimensions



| | |
|--------|--------|
| Length | 190 mm |
| Width | 150 mm |
| Height | 94 mm |

Technical data

| | |
|-----------------------------------|---|
| Expandable | yes |
| No. of entries | 12 |
| Type of entry | Plug-in seal |
| Type of entry | Cable |
| Type of housing penetration | Cuttable stepped membrane |
| Measured insulation voltage V_i | 500 V |
| Equipment | Support rail |
| Cover | Transparent |
| Cover fastening | Screwed |
| Entry from rear | yes |
| Entries | 7xM25 5xM32 |
| Explosion-tested version | no |
| Flame-resistant | acc. to VDE 0471/DIN 695 Part 2-1, test temperature 650°C |
| Shape | Rectangular |
| Maintain electrical functions | Without |
| For Ex zone | Without |
| For Ex zone gas | Without |
| For Ex zone dust | Without |
| Fibre-glass reinforced | yes |
| Halogen-free | yes |
| Clear internal dimensions | 176x135x84 mm |
| With screening | no |
| with lid | yes |
| Mounting type | Wall/ceiling mounting |
| Nominal voltage | 500 V |
| Sealable | yes |
| Protection rating | IP66 |
| Protection rating IK code | IK05. |
| Permitted temperature range, max. | 65 °C |

Technical data sheet

Junction box T160, with plug-in seal, transparent elevated cover

Item number: 2007754



Technical data

| | |
|-----------------------------------|--------|
| Permitted temperature range, min. | -25 °C |
| Transparent lid | yes |
| Weatherproof | no |