

## Data Sheet | Item Number: 216-241

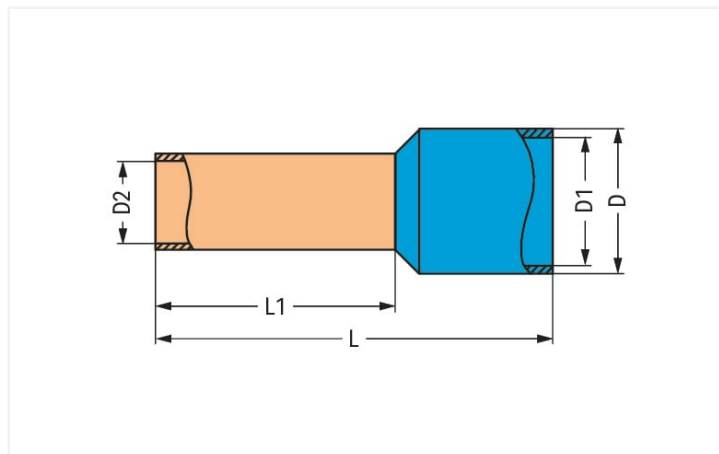
Ferrule; Sleeve for 0.5 mm<sup>2</sup> / 20 AWG; insulated; electro-tin plated; electrolytic copper; gastight crimped; acc. to DIN 46228, Part 4/09.90; white

<https://www.wago.com/216-241>



Color: ■ white

Similar to illustration



Dimensions in mm

### Technical data

|                            |                     |
|----------------------------|---------------------|
| Sleeve cross-section (AWG) | 20 AWG              |
| Sleeve for                 | 0.5 mm <sup>2</sup> |

### Connection data

|              |                     |
|--------------|---------------------|
| Strip length | 12 mm / 0.47 inches |
|--------------|---------------------|

### Physical data

|                                 |        |
|---------------------------------|--------|
| Length                          | 16 mm  |
| Crimp length (length of sleeve) | 10 mm  |
| Diameter                        | 3.1 mm |
| Inner Diameter plastic collar   | 2.6 mm |
| Diameter crimp sleeve inside    | 1 mm   |

### Mechanical data

|          |                    |
|----------|--------------------|
| Suitable | 2001 – 2002 Series |
|----------|--------------------|

### Material data

|           |          |
|-----------|----------|
| Color     | white    |
| Fire load | 0.001 MJ |
| Weight    | 0.1 g    |

| Commercial data       |                                |
|-----------------------|--------------------------------|
| Product Group         | 2 (Terminal Block Accessories) |
| eCl@ss 10.0           | 27-40-02-01                    |
| eCl@ss 9.0            | 27-40-02-01                    |
| ETIM 8.0              | EC000005                       |
| ETIM 7.0              | EC000005                       |
| PU (SPU)              | 1000 pcs                       |
| Packaging type        | Box                            |
| Country of origin     | DE                             |
| GTIN                  | 4044918016315                  |
| Customs tariff number | 85369010000                    |

| Environmental Product Compliance |                         |
|----------------------------------|-------------------------|
| RoHS Compliance Status           | Compliant, No Exemption |

### Downloads

#### Environmental Product Compliance

Compliance Search

|  |   |
|--|---|
| Environmental Product Compliance 216-241 | ↓ |
|--|---|

### Documentation

| Bid Text |            |                 |   |
|----------|------------|-----------------|---|
| 216-241  | 19.02.2019 | xml<br>2.80 KB  | ↓ |
| 216-241  | 11.09.2017 | doc<br>23.50 KB | ↓ |

### Installation Notes



A perfect gas-tight crimp – both electrical-ly and mechanically reliable