

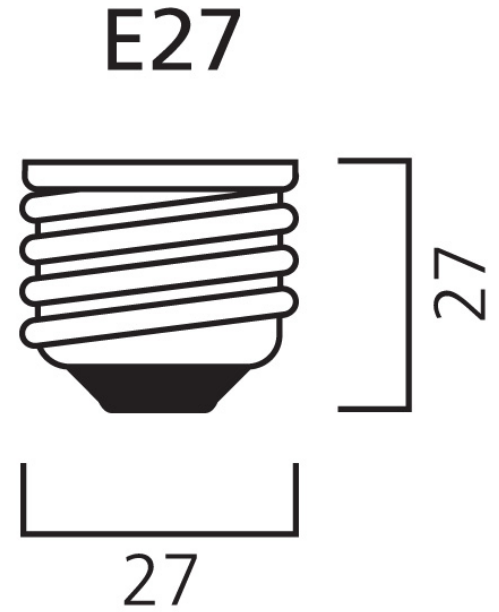
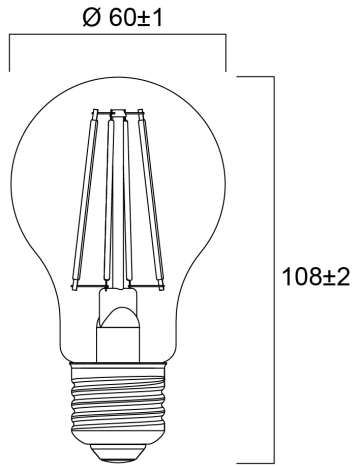
## Features

- Perfect for decorative and general lighting applications and creates a warm ambiance similar to traditional lamps Same look, size and functionality as incandescent lamps Omni-directional light distribution Suitable replacement for incandescent and halogen lamps Gives same sparkling light effect as incandescent lamp Dimensionally identical to incandescent lamps - fits all fixtures Environment friendly - no mercury and lower CO2 emissions Dimmable with approved dimmers

## Product Overview

Product name	ToLEDo RT GLS V5 ST DIM 806LM 827 E27 SL
Technology	LED
Watt (Rated) (W)	7
Fixture rating	Open
E-number FI	4740901
Colour temperature (K)	2700
CRI (Ra)	80
Colour Variation Initial (SDCM)	6
Photobiological Risk Group	RG1
Wattage (W)	7
Product EAN number	5410288293165
Warranty	3 years

## Technical drawings



## Data table

### GENERAL DATA

Product name	ToLEDo RT GLS V5 ST DIM 806LM 827 E27 SL
Technology	LED
Watt (Rated) (W)	7
Fixture rating	Open
Operating temperature range (°C)	-10°C...+45°C
Performance ambient temperature Tq (°C)	25
E-number FI	4740901
Warranty	3 years

### OPTICAL DATA

Luminous flux (Rated) (lm)	806
----------------------------	-----

ToLEDo RT GLS V5 ST DIM 806LM 827 E27 SL  
0029316

Colour temperature (K)	2700
CRI (Ra)	80
Colour Variation Initial (SDCM)	6
Photobiological Risk Group	RG1
Lumen maintenance at end of nominal life (%)	70

## ELECTRICAL DATA

Wattage (W)	7
Equivalent watt (W)	60
Primary Supply/Product voltage - min (V)	220
Control gear required	No
Inrush Current (A)	1.5
Inrush Duration ( $\mu$ s)	520
Lamp Energy Label (class)	E

## LIFETIME DATA

Lifespan L70 B50	15000
Average life (Rated) (h)	15000

## PHYSICAL DATA

Nominal Product Length (mm)	108
Nominal Product Diameter (mm)	60
Weight (kg)	0.03

## PACKAGING

Single packaging type	Carton
Product EAN number	5410288293165
Packaging single width (cm)	6.6
Packaging single depth (cm)	12.0
DUN14 (outer)	15410288293162
Packaging outer length / height (cm)	20.6

# SYLVANIA

ToLEDo RT GLS V5 ST DIM 806LM 827 E27 SL  
0029316

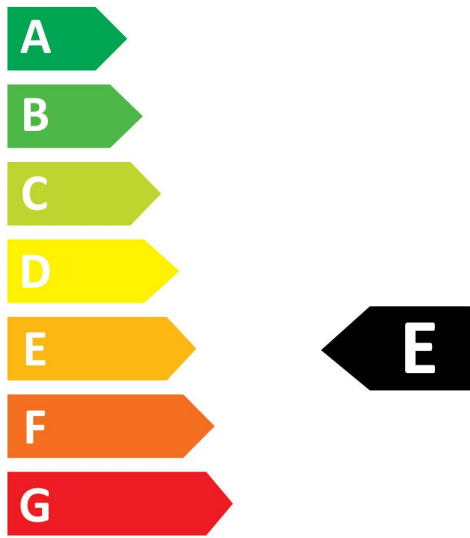
## SAFETY DATA

Optimal operating condition (°C)	-10-45
Breakage cleaning instructions	Not applicable
Special purpose lamp	No
Dry applications use only	No
Suitable for household illumination	No
Safety message	Not Suitable for totally enclosed fixtures

## Energy label



0029316



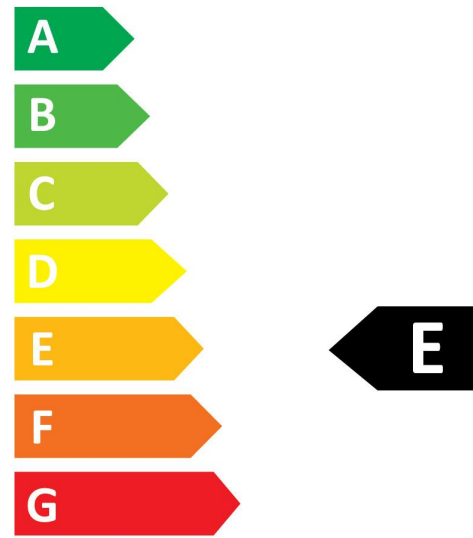
7  
kWh/1000h



2019/2015



0029316



7  
kWh/1000h



2019/2015

Light your world