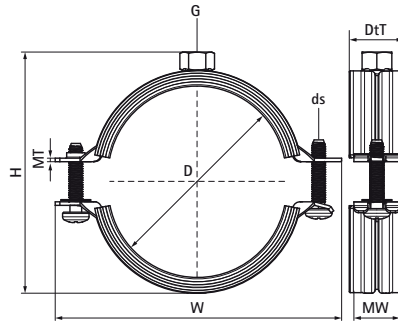


## Walraven 2S Clamp with Lining (M8)

(A05132)

for steel, copper, cast iron and plastic (multilayer) pipe



### Features & benefits

- gapless range
- rubber lining grips in steel parts to prevent sliding of the lining
- anti loss washers prevent screws from falling out during installation
- material: steel
- zinc plated
- temperature resistance from -30 °C to +120 °C
- sound insulating lining according DIN 4109
- noise reduction according to ISO 3822-1 up to 22 dB(A)



| Product Number   | DN    | Pipe Diameter Imperial | Connection Thread | Total Height | Total Width | Total Depth | Material Width | Material Thickness | Screw Size | Maximum Allowed Load Faz | Approvals      |  |
|------------------|-------|------------------------|-------------------|--------------|-------------|-------------|----------------|--------------------|------------|--------------------------|----------------|--|
| Reference letter | D     | D                      | G                 | H            | W           | DtT         | MW             | MT                 | ds         | Fa,z                     |                |  |
| Unit description | "     |                        | mm                |              |             | mm          | mm             | mm                 | mm         |                          | N              |  |
| 33335014         | DN 8  | 1/4                    | M8                | 32           | 51          | 23          | 20             | 1.00               | M5         | 330                      | ITB (KOT), EPD |  |
| 33335019         | DN 10 | 3/8                    | M8                | 37           | 56          | 23          | 20             | 1.00               | M5         | 330                      | ITB (KOT), EPD |  |
| 33335024         | DN 15 | 1/2                    | M8                | 43           | 62          | 23          | 20             | 1.00               | M5         | 330                      | ITB (KOT), EPD |  |
| 33335030         | DN 20 | 3/4                    | M8                | 50           | 69          | 23          | 20             | 1.00               | M5         | 330                      | ITB (KOT), EPD |  |
| 33335037         | DN 25 | 1                      | M8                | 56           | 75          | 23          | 20             | 1.00               | M5         | 330                      | ITB (KOT), EPD |  |
| 33335046         | DN 32 | 1 1/4                  | M8                | 66           | 84          | 23          | 20             | 1.25               | M5         | 500                      | ITB (KOT), EPD |  |
| 33335052         | DN 40 | 1 1/2                  | M8                | 75           | 93          | 23          | 20             | 1.25               | M5         | 500                      | ITB (KOT), EPD |  |
| 33335061         | DN 50 | 2                      | M8                | 81           | 99          | 23          | 20             | 1.25               | M5         | 500                      | ITB (KOT), EPD |  |
| 33335067         | -     | -                      | M8                | 87           | 106         | 23          | 20             | 1.25               | M5         | 500                      | ITB (KOT), EPD |  |