

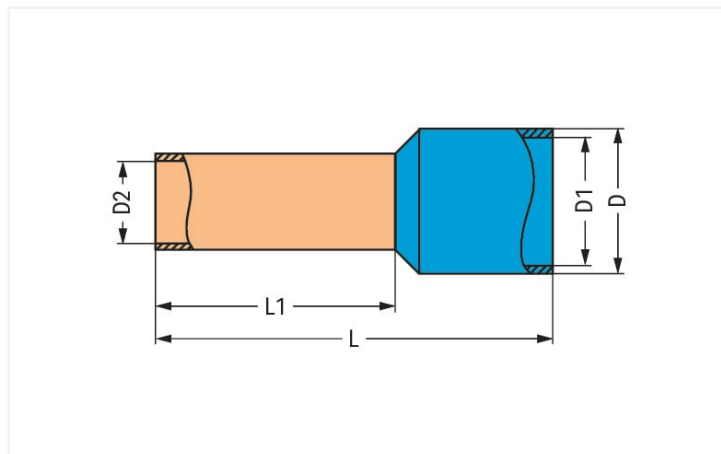
Data Sheet | Item Number: 216-208

Ferrule; Sleeve for 6 mm² / AWG 10; insulated; electro-tin plated; electrolytic copper; gastight crimped; acc. to DIN 46228, Part 4/09.90; yellow

<https://www.wago.com/216-208>



Color: ■ yellow



Dimensions in mm

Technical data

| | |
|----------------------------|-------------------|
| Sleeve cross-section (AWG) | 10 AWG |
| Sleeve for | 6 mm ² |

Connection data

| | |
|--------------|---------------------|
| Strip length | 14 mm / 0.55 inches |
|--------------|---------------------|

Physical data

| | |
|---------------------------------|--------|
| Length | 20 mm |
| Crimp length (length of sleeve) | 12 mm |
| Diameter | 6.9 mm |
| Inner Diameter plastic collar | 6.3 mm |
| Diameter crimp sleeve inside | 3.5 mm |

Mechanical data

| | |
|----------|-------------|
| Suitable | 2006 Series |
|----------|-------------|

Material data

| | |
|-----------|----------|
| Color | yellow |
| Fire load | 0.004 MJ |
| Weight | 0.4 g |

| Commercial data | |
|-----------------------|--------------------------------|
| Product Group | 2 (Terminal Block Accessories) |
| eCl@ss 10.0 | 27-40-02-01 |
| eCl@ss 9.0 | 27-40-02-01 |
| ETIM 8.0 | EC000005 |
| ETIM 7.0 | EC000005 |
| PU (SPU) | 1000 (100) pcs |
| Packaging type | Box |
| Country of origin | DE |
| GTIN | 4017332277532 |
| Customs tariff number | 85369010000 |

| Environmental Product Compliance | |
|----------------------------------|-------------------------|
| RoHS Compliance Status | Compliant, No Exemption |

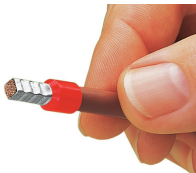
Downloads

| Environmental Product Compliance | |
|--|-------------------|
| Compliance Search | |
| Environmental Product Compliance 216-208 | ↓ |

Documentation

| Bid Text | | | |
|----------|------------|-----------------|-------------------|
| 216-208 | 19.02.2019 | xml 2.80 KB | ↓ |
| 216-208 | 11.09.2017 | doc 24.50 KB | ↓ |

Installation Notes



A perfect gas-tight crimp – both electrical-ly and mechanically reliable