

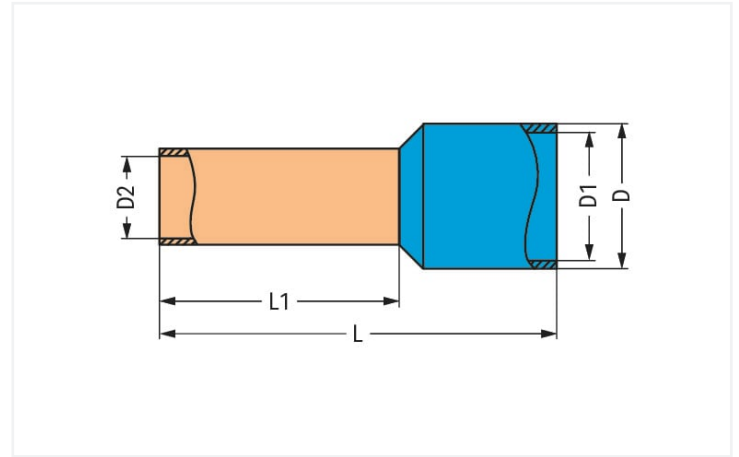
Data Sheet | Item Number: 216-207

Ferrule; Sleeve for 4 mm² / AWG 12; insulated; electro-tin plated; gray

<https://www.wago.com/216-207>



Color: ■ gray



Dimensions in mm

Technical data

Sleeve cross-section (AWG)	12 AWG
Sleeve for	4 mm ²

Connection data

Strip length	12 mm / 0.47 inches
--------------	---------------------

Physical data

Length	18 mm
Crimp length (length of sleeve)	10 mm
Diameter	5.4 mm
Inner Diameter plastic collar	4.8 mm
Diameter crimp sleeve inside	2.8 mm

Material data

Color	gray
Fire load	0.003 MJ
Weight	0.2 g

Commercial data

Product Group	2 (Terminal Block Accessories)
eCl@ss 10.0	27-40-02-01
eCl@ss 9.0	27-40-02-01
ETIM 8.0	EC000005
ETIM 7.0	EC000005
PU (SPU)	500 (100) pcs
Packaging type	Box
Country of origin	DE
GTIN	4055143654708
Customs tariff number	85369010000

Environmental Product Compliance

RoHS Compliance Status	Compliant, No Exemption
------------------------	-------------------------

Downloads

Environmental Product Compliance

Compliance Search	
Environmental Product Compliance 216-207	↓

Documentation

Bid Text			
216-207	19.02.2019	xml 2.80 KB	↓
216-207	11.09.2017	doc 23.50 KB	↓

Installation Notes



A perfect gas-tight crimp – both electrically and mechanically reliable