

# Wall mounted receptacle

Part number: 20162A



**MENNEKES**  
Elektrotechnik GmbH & Co. KG

Aloys-Mennekes-Straße 1  
57399 Kirchhundem  
GERMANY

[www.MENNEKES.org](http://www.MENNEKES.org)

## Product Description

- screw connection technology
- nickel plated contacts, highly heat resistant contact carrier
- internal fixing
- 25° inclination
- enclosure can be turned 180°
- receptacle is designed for adding an auxiliary contact switch

## Technical Details

Wall mounted receptacle	20162A
Ampere	32A
Number of poles	5p
Clock position	6h
Nominal voltage AC	400V
Nominal frequency	50 - 60 Hz
Protection type IP	IP44
Contact carrier	nickel plated contacts, highly heat resistant contact carrier
X-CONTACT	no
Connection	screw terminals
Contact screw drive	PZ2, slot
Screw drive external screws	PZ2, slot
Pilot contact	without pilot contact
Pilot contact switch	no
Cable entry at the top	1 x M32
Cable entry at the bottom	2 x M25 (blind)
Blind cable entry at the rear	no
Enclosure base can be turned 180°	yes
Insertion direction	angled
Inclination	25°
Type of mounting	internal fixing
Highly resistant to chemicals	no
Military version	no
Lockable	no

<b>Wall mounted receptacle</b>	<b>20162A</b>
Tightening torque connection terminal for cable cross-section 1,0 - 1,5 mm <sup>2</sup>	0.6 Nm
Tightening torque connection terminal for cable cross-section 2,5 - 4,0 mm <sup>2</sup>	0.8 Nm
Tightening torque connection terminal for cable cross-section 6 - 10 mm <sup>2</sup>	1.2 Nm
Strip length PH + N solid conductor	12 - 17 mm
Strip length PE solid conductor	12 - 17 mm
Conductor cross-section min.	2.5 mm <sup>2</sup>
Conductor cross-section max.	10 mm <sup>2</sup>
Weight (net)	424 g
Packaging unit	10 pcs
Quantity per pallet	480 pcs
EAN / identification number	4015394038276

<b>Permissible ambient conditions</b>		
	Min.	Max.
Permissible ambient temperature	-25 °C	40 °C
Average temperature over 24 hours		35 °C

<b>Material properties</b>	
Base	PA6 light grey [similar RAL 7035]
Upper part	PC/PET light grey [similar RAL 7035]
Hinged lid	PC red [similar RAL 3013]
External screws	steel galvanised

**Material resistance**

The material resistance overview can be found on the website in the section "Knowledge" - "Product knowledge" - "Materials".

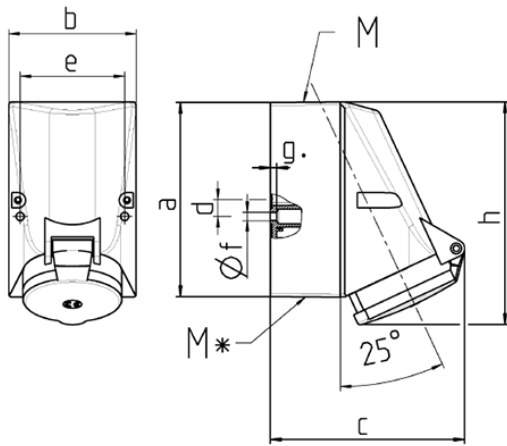
Material and environmental properties

RoHS 2011/65/EU incl. 2015/863/EU	✓
POP regulation (EU) 2019/1021	✓
Halogen-free	yes

Regulations and Standards

Norm	DIN EN IEC 60309-2
Declaration of Conformity	CE
Test label	EAC

# Dimensional Drawing



1 MB 209 1 MB 43	Amp. Poles	16			32		
		3	4	5	3	4	5
Dim. in mm	a	87	128	128	128	128	128
	b	64	84	84	84	84	84
	c	99	122	124	136	136	138
	d	40	11	11	11	11	11
	e	50	68	68	68	68	68
	f	4.5	5.3	5.3	5.3	5.3	5.3
	g	4	4	4	4	4	4
	h	115	144	145	158	158	160
	M	20	25	25	32	32	32
	M*	M 20 2xM25 (blind) to be cut out			2xM25 (blind) to be cut out		
	Max. cable diam. (mm)	15	18	18	18/25	18/25	18/25
	Terminal for cond. cross section (mm <sup>2</sup> ) min.-max.	1.5	1.5	1.5	2.5	2.5	2.5
		-4	-4	-4	-10	-10	-10