

Wall mounted receptacle

Part number: 1859



MENNEKES
Elektrotechnik GmbH & Co. KG

Aloys-Mennekes-Straße 1
57399 Kirchhundem
GERMANY

www.MENNEKES.org

Product Description

- screwless, with insulation displacement technology TwinCONTACT
- internal fixing
- 25° inclination
- enclosure can be turned 180°
- suitable for through wiring
- receptacle is designed for adding an auxiliary contact switch

Technical Details

Wall mounted receptacle	1859
Ampere	32A
Number of poles	4p
Clock position	2h
Nominal voltage AC	50 - 500V
Nominal frequency	300 - 500 Hz
Protection type IP	IP44
Contact carrier	standard
X-CONTACT	no
Connection	insulation displacement technology - TwinCONTACT
Screw drive external screws	PZ2, slot
Pilot contact	without pilot contact
Pilot contact switch	no
Cable entry at the top	1 x M32
Cable entry at the bottom	2 x M25 (blind)
Blind cable entry at the rear	no
Enclosure base can be turned 180°	yes
Insertion direction	angled
Inclination	25°
Type of mounting	internal fixing
Highly resistant to chemicals	no
Military version	no
Lockable	no
Strip length jacket	120 mm
Strip length solid conductor	18 mm

Wall mounted receptacle	1859
Conductor cross-section min.	2.5 mm ²
Conductor cross-section max.	10 mm ²
Weight (net)	340 g
Packaging unit	10 pcs
Quantity per pallet	480 pcs
EAN / identification number	4015394214069

Permissible ambient conditions		
	Min.	Max.
Permissible ambient temperature	-25 °C	40 °C
Average temperature over 24 hours		35 °C

Material properties	
Base	PA6 light grey [similar RAL 7035]
Upper part	PC/PET light grey [similar RAL 7035]
Hinged lid	PA6 green [similar RAL 6010]
External screws	steel galvanised

Material resistance

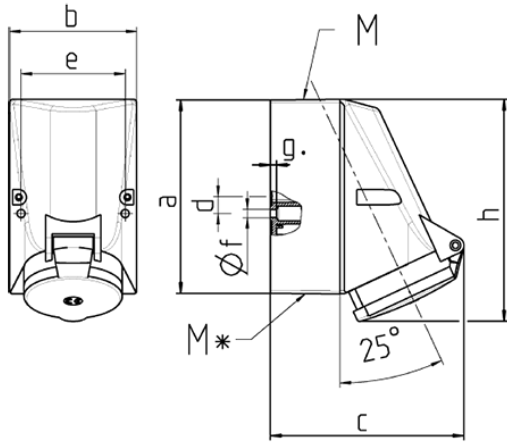
The material resistance overview can be found on the website in the section “Knowledge” - “Product knowledge” - “Materials”.

Material and environmental properties	
RoHS 2011/65/EU incl. 2015/863/EU	✓
POP regulation (EU) 2019/1021	✓
Halogen-free	yes

Regulations and Standards

Norm	DIN EN IEC 60309-2
Declaration of Conformity	CE
Test label	EAC, CQC

Dimensional Drawing



Drawing 1 MB 43	Amp. Poles	16		32		
		4	5	3	4	5
Dim. in mm	a	128	128	128	128	128
	b	84	84	84	84	84
	c	122	124	136	136	138
	d	11	11	11	11	11
	e	68	68	68	68	68
	f	5.3	5.3	5.3	5.3	5.3
	g	4	4	4	4	4
	h	144	145	158	158	160
	M	25	25	32	32	32
	M*	2x25 (blind) to be cut out		2x25 (blind) to be cut out		
	Max. cable diam. (mm)	18	18	18/25	18/25	18/25
	Terminal for cond. cross section (mm ²) min.-max.	1.5	1.5	2.5	2.5	2.5
		-4	-4	-10	-10	-10