

Data Sheet | Item Number: 216-201

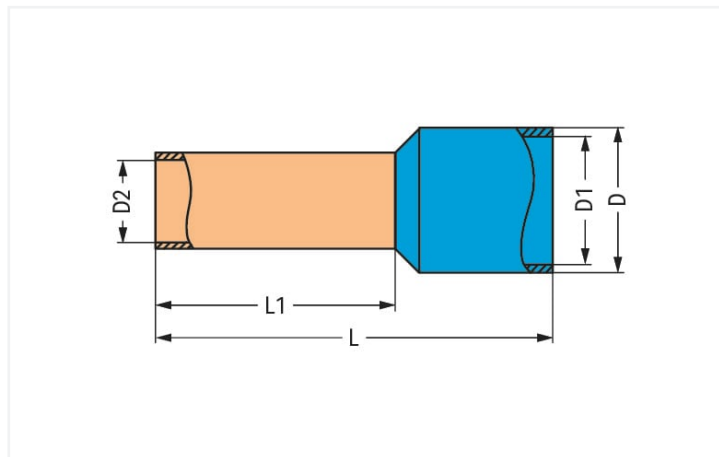
Ferrule; Sleeve for 0.5 mm² / 20 AWG; insulated; electro-tin plated; white

<https://www.wago.com/216-201>



Color: ■ white

Similar to illustration



Dimensions in mm

Technical data

Sleeve cross-section (AWG)	20 AWG
Sleeve for	0.5 mm ²

Connection data

Strip length	9 mm / 0.35 inches
--------------	--------------------

Physical data

Length	14 mm
Crimp length (length of sleeve)	8 mm
Diameter	3.1 mm
Inner Diameter plastic collar	2.6 mm
Diameter crimp sleeve inside	1 mm

Material data

Color	white
Fire load	0.001 MJ
Weight	0.1 g

Commercial data

Product Group	2 (Terminal Block Accessories)
eCl@ss 10.0	27-40-02-01
eCl@ss 9.0	27-40-02-01
ETIM 8.0	EC000005
ETIM 7.0	EC000005
PU (SPU)	1000 pcs
Packaging type	Box
Country of origin	DE
GTIN	4017332277433
Customs tariff number	85369010000

Environmental Product Compliance

RoHS Compliance Status

Compliant, No Exemption

Downloads

Environmental Product Compliance

Compliance Search

Environmental Product
Compliance 216-201

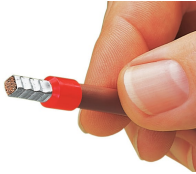


Documentation

Bid Text

216-201	19.02.2019	xml 2.80 KB	
216-201	11.09.2017	doc 23.50 KB	

Installation Notes



A perfect gas-tight crimp – both electrical-ly and mechanically reliable