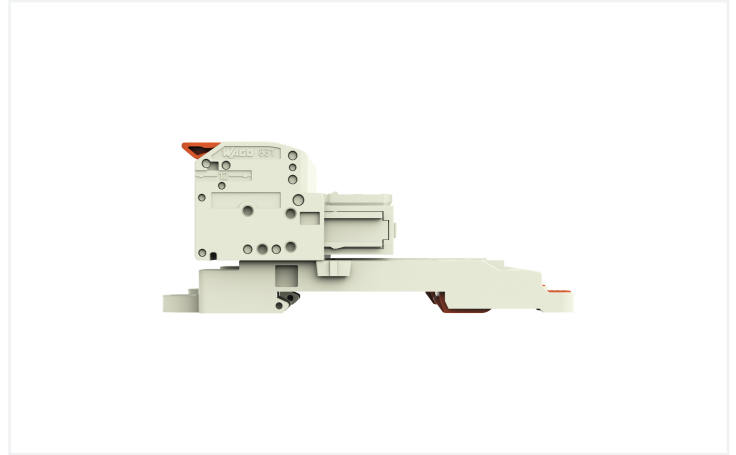
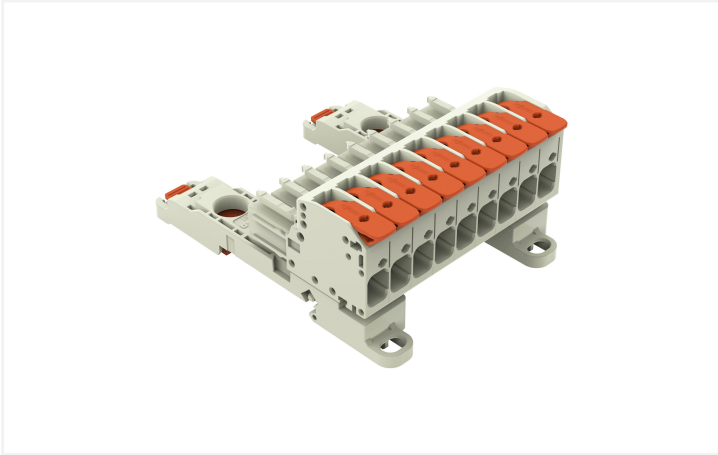


Data Sheet | Item Number: 831-1109/306-000

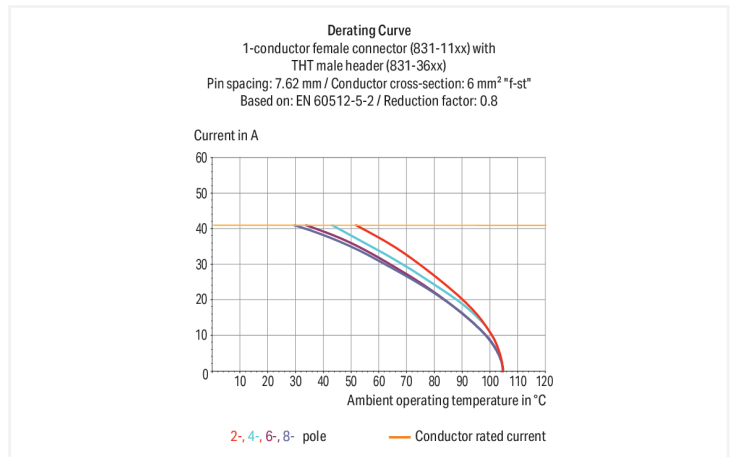
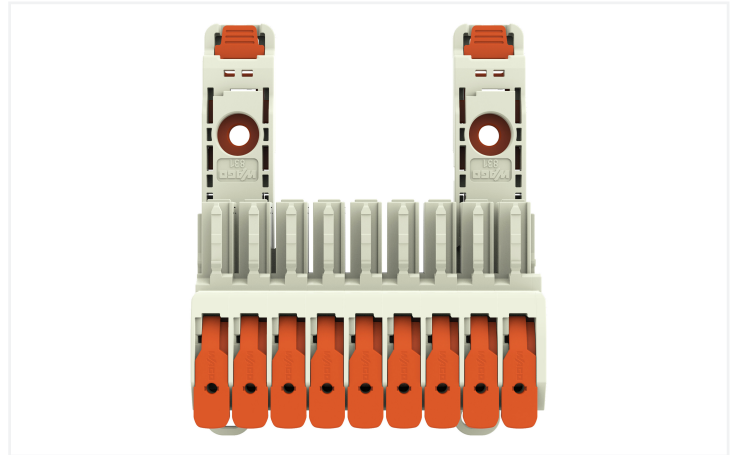
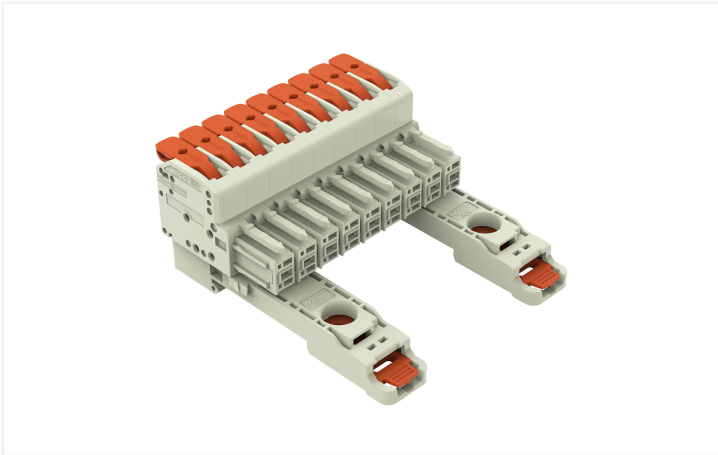
1-conductor female connector; lever; Push-in CAGE CLAMP®; 10 mm²; Pin spacing 7.62 mm; 9-pole; 100% protected against mismatching; DIN-35 rail/panel mounting; 10,00 mm²; light gray

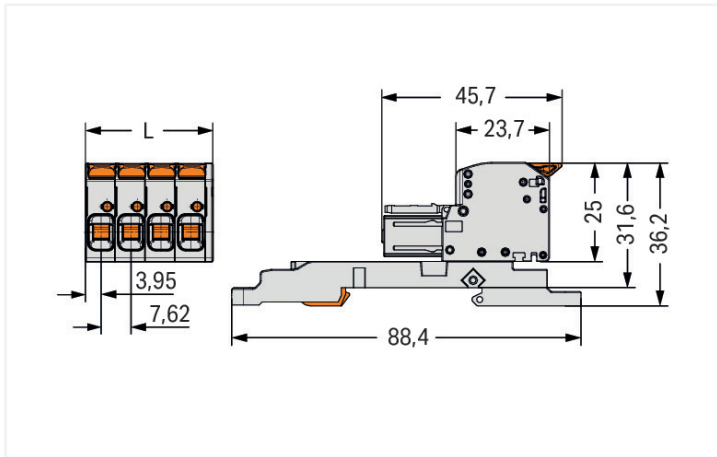


<https://www.wago.com/831-1109/306-000>



Color: ■ light gray





Dimensions in mm

L = (pole no. x pin spacing) + 1.9 mm

Female connector, 831 Series, Push-in CAGE CLAMP®

This female connector (item number 831-1109/306-000) simplifies electrical installations. Ensure that the strip lengths are between 11 and 13 mm when connecting conductors to this female connector. Featuring one conductor terminal along with Push-in CAGE CLAMP®, this connector is highly versatile. Our Push-in CAGE CLAMP® is a universal, maintenance-free connection solution for all conductor types, boasting a key feature: It allows direct insertion of both solid and fine-stranded conductors with ferrules without needing tools. No preparation is required; for example, crimping the conductor's ferrule is not necessary. The item's dimensions are (70.5 x 36.2 x 88.4) mm (width x height x depth). This female connector is suitable for conductor cross sections ranging from 0.5 mm² to 10 mm².

The contact surface is coated with tin.

Notes

Safety Information
 The MCS – MULTI CONNECTION SYSTEM includes connectors without breaking capacity in accordance with DIN EN 61984. When used as intended, these connectors must not be connected/disconnected when live or under load. When used as intended, these connectors must not be connected/disconnected when live or under load. The circuit design should ensure header pins, which can be touched, are not live when unmated.

Variants:
 Other colors
 Other versions (or variants) can be requested from WAGO Sales or configured at <https://configurator.wago.com/>.

Electrical data

| Ratings per | IEC/EN 60664-1 | | |
|---------------------------------|----------------|--------|--------|
| Overvoltage category | III | III | II |
| Pollution degree | 3 | 2 | 2 |
| Nominal voltage | 800 V | 1000 V | 1000 V |
| Rated impulse withstand voltage | 8 kV | 8 kV | 8 kV |
| Rated current | 41 A | 41 A | 41 A |

| Approvals per | UL 1059 | | |
|---------------|---------|-------|-------|
| Use group | B | C | D |
| Rated voltage | - | 600 V | 600 V |
| Rated current | - | 37 A | 5 A |

| Approvals per | CSA | | |
|---------------|-----|-------|-------|
| Use group | B | C | D |
| Rated voltage | - | 600 V | 600 V |
| Rated current | - | 35 A | 5 A |

Connection Data

| | | | |
|----------------------------|---|---------------------------------------------------|-------------------------------------------|
| Clamping units | 9 | Connection 1 | |
| Total number of potentials | 9 | Connection technology | Push-in CAGE CLAMP® |
| Number of connection types | 1 | Actuation type | Lever |
| Number of levels | 1 | Solid conductor | 0.5 ... 10 mm ² / 20 ... 8 AWG |
| | | Fine-stranded conductor | 0.5 ... 10 mm ² / 20 ... 8 AWG |
| | | Fine-stranded conductor; with insulated ferrule | 0.5 ... 6 mm ² |
| | | Fine-stranded conductor; with uninsulated ferrule | 0.5 ... 6 mm ² |
| | | Strip length | 11 ... 13 mm / 0.43 ... 0.51 inches |
| | | Pole number | 9 |
| | | Conductor entry direction to mating direction | 0° |

Physical data

| | |
|------------------------------------|------------------------|
| Pin spacing | 7.62 mm / 0.3 inches |
| Width | 70.5 mm / 2.775 inches |
| Height | 36.2 mm / 1.425 inches |
| Height from upper-edge of DIN-rail | 31.6 mm / 1.244 inches |
| Depth | 88.4 mm / 3.480 inches |

Mechanical data

| | |
|--------------------------|-------------------------------|
| Variable coding | Yes |
| Mounting type | DIN-35 rail Panel mounting |
| Anti-rotation protection | Yes |

Plug-in connection

| | |
|------------------------------------|-------------------------|
| Contact type (pluggable connector) | Female connector/socket |
| Connector (connection type) | for conductor |
| Mismating protection | Yes |

Material data

| | |
|------------------------------------|--------------------------------------------------------------------------|
| Note (material data) | Information on material specifications can be found here |
| Color | light gray |
| Material group | I |
| Insulation material (main housing) | Polyamide (PA66) |
| Flammability class per UL94 | V0 |
| Clamping spring material | Chrome-nickel spring steel (CrNi) |
| Contact material | Electrolytic copper (E _{Cu}) |
| Contact Plating | Tin |
| Fire load | 1.556 MJ |
| Actuator color | orange |
| Weight | 70.1 g |

Environmental requirements

| | |
|-------------------------|-----------------|
| Limit temperature range | -60 ... +105 °C |
| Processing temperature | -35 ... +60 °C |

Commercial data

| | |
|-----------------------|---------------|
| PU (SPU) | 6 pcs |
| Packaging type | Box |
| Country of origin | PL |
| GTIN | 4066966407594 |
| Customs tariff number | 85366990990 |

Product Classification

| | |
|-----------|----------------------|
| UNSPSC | 39121409 |
| ETIM 9.0 | EC001284 |
| ETIM 10.0 | EC001284 |
| ECCN | NO US CLASSIFICATION |

Environmental Product Compliance

| | |
|------------------------|-------------------------|
| RoHS Compliance Status | Compliant, No Exemption |
|------------------------|-------------------------|

Approvals / Certificates

General approvals



| Approval | Standard | Certificate Name |
|-----------------------------------------|----------|------------------|
| UR Underwriters Laboratories Inc. | UL 1059 | UL-US-2426356-0 |

Downloads

Environmental Product Compliance

Compliance Search

| | |
|---------------------------------------------------------|-------------------|
| Environmental Product Compliance 831-1109/306-000 | ↓ |
|---------------------------------------------------------|-------------------|

Documentation

Additional Information

| | | | |
|-------------------|------------|-------------------|-------------------|
| Technical Section | 03.04.2019 | pdf 2027.26 KB | ↓ |
|-------------------|------------|-------------------|-------------------|

CAD/CAE-Data

CAD data

2D/3D Models
831-1109/306-000



1 Compatible Products

1.1 System counterpart

1.1.1 Male connector/plug



Item No.: 831-1209

1-conductor male connector; lever; Push-in CAGE CLAMP®; 10 mm²; Pin spacing 7.62 mm; 9-pole; 100% protected against mismatching; 10,00 mm²; light gray

1.2 Optional Accessories

1.2.1 Ferrule

1.2.1.1 Ferrule



Item No.: 216-262

Ferrule; Sleeve for 0.75 mm² / 18 AWG; insulated; electro-tin plated; electrolytic copper; gastight crimped; acc. to DIN 46228, Part 4/09.90; gray



Item No.: 216-263

Ferrule; Sleeve for 1 mm² / AWG 18; insulated; electro-tin plated; electrolytic copper; gastight crimped; acc. to DIN 46228, Part 4/09.90; red



Item No.: 216-264

Ferrule; Sleeve for 1.5 mm² / AWG 16; insulated; electro-tin plated; electrolytic copper; gastight crimped; acc. to DIN 46228, Part 4/09.90; black



Item No.: 216-284

Ferrule; Sleeve for 1.5 mm² / AWG 16; insulated; electro-tin plated; electrolytic copper; gastight crimped; acc. to DIN 46228, Part 4/09.90; black



Item No.: 216-266

Ferrule; Sleeve for 2.5 mm² / AWG 14; insulated; electro-tin plated; electrolytic copper; gastight crimped; acc. to DIN 46228, Part 4/09.90; blue



Item No.: 216-286

Ferrule; Sleeve for 2.5 mm² / AWG 14; insulated; electro-tin plated; electrolytic copper; gastight crimped; acc. to DIN 46228, Part 4/09.90; blue



Item No.: 216-267

Ferrule; Sleeve for 4 mm² / AWG 12; insulated; electro-tin plated; electrolytic copper; gastight crimped; acc. to DIN 46228, Part 4/09.90; gray



Item No.: 216-287

Ferrule; Sleeve for 4 mm² / AWG 12; insulated; electro-tin plated; electrolytic copper; gastight crimped; acc. to DIN 46228, Part 4/09.90; gray



Item No.: 216-208

Ferrule; Sleeve for 6 mm² / AWG 10; insulated; electro-tin plated; electrolytic copper; gastight crimped; acc. to DIN 46228, Part 4/09.90; yellow



Item No.: 216-288

Ferrule; Sleeve for 6 mm² / AWG 10; insulated; electro-tin plated; electrolytic copper; gastight crimped; acc. to DIN 46228, Part 4/09.90; yellow



Item No.: 216-108

Ferrule; Sleeve for 6 mm² / AWG 10; un-insulated; electro-tin plated; silver-colored

1.2.2 Strain relief

1.2.2.1 Strain relief plate

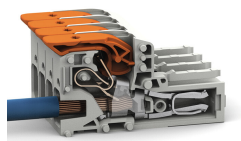


Item No.: 831-506

Strain relief plate; for female and male connectors; 51 mm wide; 1 part; Pin spacing 7.62 mm; light gray

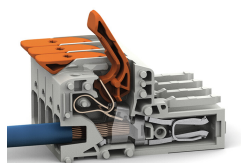
Installation Notes

Conductor termination



Insert solid conductors via push-in termination.

Conductor removal



Insert fine-stranded conductors – and remove all conductors – via operating tool.