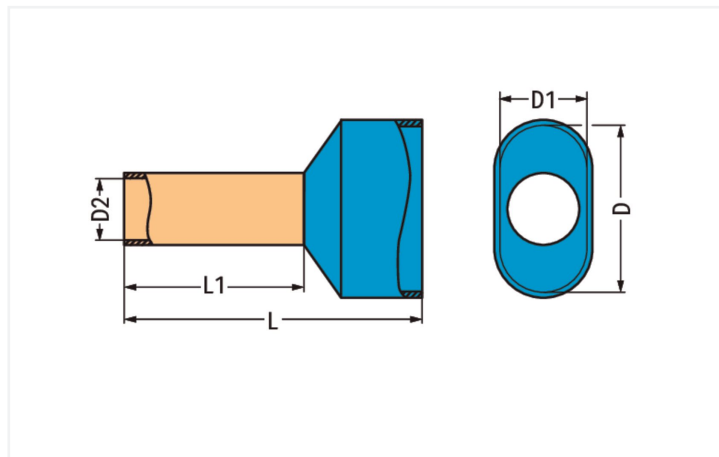


## Data Sheet | Item Number: 216-1545

Twin ferrule; Sleeve for 2 x 2.5 mm / AWG 14; insulated; blue

<https://www.wago.com/216-1545>



Color: ■ blue

Similar to illustration

### Connection data

Fine-stranded conductor

2.5 mm<sup>2</sup> / 14 AWG

### Physical data

Length	21 mm
Crimp length (length of sleeve)	12 mm
Diameter	8 mm
Inner Diameter plastic collar	4.5 mm
Diameter crimp sleeve inside	2.8 mm

### Material data

Color	blue
Fire load	0 MJ
Weight	0.3 g

### Commercial data

ETIM 8.0	EC000005
ETIM 7.0	EC000005
PU (SPU)	500 pcs
Packaging type	Bag
Country of origin	DE
GTIN	4055143642804
Customs tariff number	85369010000

### Environmental Product Compliance

RoHS Compliance Status

Compliant, No Exemption

### Downloads

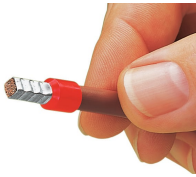
#### Environmental Product Compliance

##### Compliance Search

Environmental Product  
Compliance 216-1545



### Installation Notes



A perfect gas-tight crimp – both electrical-ly and mechanically reliable