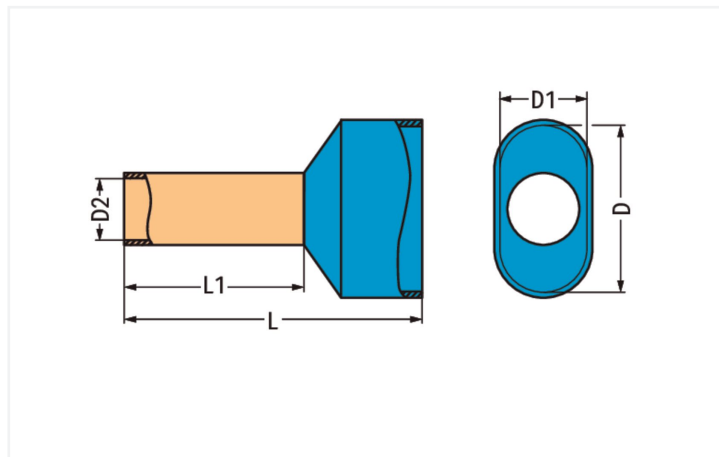


Data Sheet | Item Number: 216-1535

Twin ferrule; Sleeve for 2 x 2.5 mm / AWG 14; insulated; blue

<https://www.wago.com/216-1535>



Color: ■ blue

Similar to illustration

Connection data

Fine-stranded conductor

2.5 mm² / 14 AWG

Physical data

Length	19 mm
Crimp length (length of sleeve)	10 mm
Diameter	8 mm
Inner Diameter plastic collar	4.5 mm
Diameter crimp sleeve inside	2.8 mm

Material data

Color	blue
Fire load	0 MJ
Weight	0.3 g

Commercial data

ETIM 8.0	EC000005
ETIM 7.0	EC000005
PU (SPU)	500 pcs
Packaging type	Bag
Country of origin	DE
GTIN	4055143582018
Customs tariff number	85369010000

Environmental Product Compliance

RoHS Compliance Status

Compliant, No Exemption

Downloads

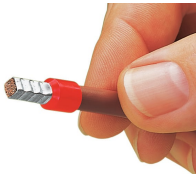
Environmental Product Compliance

Compliance Search

Environmental Product
Compliance 216-1535



Installation Notes



A perfect gas-tight crimp – both electrical-ly and mechanically reliable