

SPECIFICATION

Description	220-240V TRIAC Dimming LED Driver, Constant Voltage Driver
Electrical Characteristics	Ta = 25°C, 220-240Vrms input, standard reference load; unless otherwise specified
Class II, IP20, thermally protected 110, independent driver	

Product Name	215-015
---------------------	----------------

Input Parameters		
Rated Input Voltage	U _{in}	220-240VAC
Input Current (Full load)	I _{in}	0.31A
Input Frequency	f _{in}	50/60Hz
Maximum Input Power	P _{in}	59.0W
Power Factor (Full load)	λ	≥0.95
THD(Full load)		≤20%
Efficiency (Full load)	η	≥84%
No-load power		≤1.0W
Inrush current(Max)		5.0A&500us(Cold start)
Turn on time		≤500ms

Output Parameters		
Output Voltage	V _{out}	12V ± 5%
Output Current (Full load)	I _{out}	4.16A
Output Power (Full load)	P _{out}	50W
Operating Frequency(Full load)	F _{out}	60KHz
Dimming Range		1-100%
Ripple & Noise (Max)		1000mVp-p
Load Regulation		±3%
Line Regulation		±3%

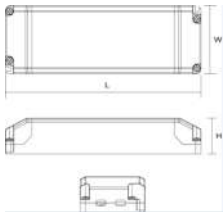
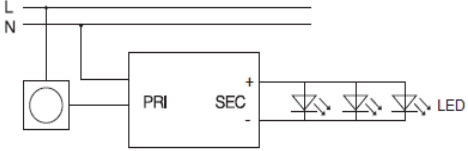
Ambient		
Storage Temperature	t _s	-20 ... + 70°C
Operating Ambient Temperature	t _a	-20 ... + 50°C
Case Temperature at t _c Point	t _c	80°C
Relative humidity		5 ... 85%

Protection		
No Load		Auto-recovery if fault is removed
Over Load		Auto-recovery if fault is removed
Short Circuit		Auto-recovery if fault is removed

System Parameters		
Withstand voltage		3.75KVAC, I _{leakage} <5.0mA, 60S
Expected Life		30,000Hours

Compliances and approvals		
Safety		EN 61347-2-13
RFI		EN 55015
Harmonics		EN 61000-3-2 Class C
Immunity		EN 61547

Note
1. All parameters NOT specially mentioned are measured at 240VAC input, rated load and 25 of ambient temperature.
2. Ripple & noise are measured at 20MHz of bandwidth by using a 12" twisted pair-wire terminated with a 0.1uF & 47uF parallel capacitor.
3. Expected Life:t _c =80°C, 0.2%/1000h failure rate

Physical Parameter	
	
Dimensions(LxWxH):166x52x24mm	
Housing Material:PC Plastic	
Captured Terminal Screw for 0.75~2.5mm ²	