

# Wall mounted receptacle

Part number: 1418



**MENNEKES**  
Elektrotechnik GmbH & Co. KG

Aloys-Mennekes-Straße 1  
57399 Kirchhundem  
GERMANY

[www.MENNEKES.org](http://www.MENNEKES.org)

## Product Description

- screw connection technology
- internal fixing
- 25° inclination
- enclosure can be turned 180°
- receptacle is designed for adding an auxiliary contact switch

## Technical Details

| Wall mounted receptacle   | 1418                  |
|---|-----------------------|
| Ampere  | 16A                   |
| Number of poles   | 4p                    |
| Clock position  | 6h                    |
| Nominal voltage AC  | 400V                  |
| Nominal frequency   | 50 - 60 Hz            |
| Protection type IP  | IP44                  |
| Contact carrier   | standard              |
| X-CONTACT   | no                    |
| Connection  | screw terminals       |
| Contact screw drive   | PZ2, slot             |
| Screw drive external screws   | PZ2, slot             |
| Pilot contact   | without pilot contact |
| Pilot contact switch  | no                    |
| Cable entry at the top  | 1 x M25               |
| Cable entry at the bottom   | 2 x M25 (blind)       |
| Blind cable entry at the rear   | no                    |
| Enclosure base can be turned 180°   | yes                   |
| Insertion direction   | angled                |
| Inclination   | 25°                   |
| Type of mounting  | internal fixing       |
| Highly resistant to chemicals   | no                    |
| Military version  | no                    |
| Lockable  | no                    |
| Tightening torque connection terminal for cable cross-section 1,0 - 1,5 mm <sup>2</sup> | 0.6 Nm                |

|   |                     |
|---|---------------------|
| <b>Wall mounted receptacle</b>  | <b>1418</b>         |
| Tightening torque connection terminal for cable cross-section 2,5 - 4,0 mm <sup>2</sup> | 0.8 Nm              |
| Tightening torque connection terminal for cable cross-section 6 - 10 mm <sup>2</sup>    | 1.2 Nm              |
| Strip length PH + N solid conductor   | 8 - 10 mm           |
| Strip length PE solid conductor   | 12 - 17 mm          |
| Conductor cross-section min.  | 1.5 mm <sup>2</sup> |
| Conductor cross-section max.  | 4 mm <sup>2</sup>   |
| Weight (net)  | 293 g               |
| Packaging unit  | 10 pcs              |
| Quantity per pallet   | 540 pcs             |
| EAN / identification number   | 4015394010487       |

| Permissible ambient conditions    | Min.                            | Max.   |
|-----------------------------------|---------------------------------|--------|
|                                   | Permissible ambient temperature | -25 °C |
| Average temperature over 24 hours |                                 | 35 °C  |

| Material properties |                                      |
|---------------------|--------------------------------------|
| Base                | PA6 light grey [similar RAL 7035]    |
| Upper part          | PC/PET light grey [similar RAL 7035] |
| Hinged lid          | PA6 red [similar RAL 3013]           |
| External screws     | steel galvanised                     |

**Material resistance**

The material resistance overview can be found on the website in the section “Knowledge” - “Product knowledge” - “Materials”.

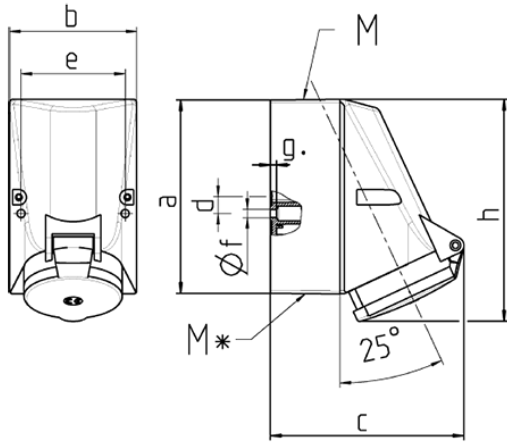
Material and environmental properties

|                                   |     |
|-----------------------------------|-----|
| RoHS 2011/65/EU incl. 2015/863/EU | ✓   |
| POP regulation (EU) 2019/1021     | ✓   |
| Halogen-free                      | yes |

Regulations and Standards

|                           |                              |
|---------------------------|------------------------------|
| Norm                      | DIN EN IEC 60309-2           |
| Declaration of Conformity | CE                           |
| Test label                | CB Zertifikat, VDE, EAC, CQC |

# Dimensional Drawing



| Drawing<br>1 MB 43 | Amp.<br>Poles   | 16                         |     | 32                         |       |       |
|--------------------|---|----------------------------|-----|----------------------------|-------|-------|
|                    |   | 4                          | 5   | 3                          | 4     | 5     |
| Dim. in mm         | a   | 128                        | 128 | 128                        | 128   | 128   |
|                    | b   | 84                         | 84  | 84                         | 84    | 84    |
|                    | c   | 122                        | 124 | 136                        | 136   | 138   |
|                    | d   | 11                         | 11  | 11                         | 11    | 11    |
|                    | e   | 68                         | 68  | 68                         | 68    | 68    |
|                    | f   | 5.3                        | 5.3 | 5.3                        | 5.3   | 5.3   |
|                    | g   | 4                          | 4   | 4                          | 4     | 4     |
|                    | h   | 144                        | 145 | 158                        | 158   | 160   |
|                    | M   | 25                         | 25  | 32                         | 32    | 32    |
|                    | M*  | 2x25 (blind) to be cut out |     | 2x25 (blind) to be cut out |       |       |
|                    | Max. cable diam. (mm)   | 18                         | 18  | 18/25                      | 18/25 | 18/25 |
|                    | Terminal for cond. cross section (mm <sup>2</sup> ) min.-max. | 1.5                        | 1.5 | 2.5                        | 2.5   | 2.5   |
|                    |   | -4                         | -4  | -10                        | -10   | -10   |