

End stop clip

- for limiting the movement of actuators
- Tool-free mounting on the actuator

**Technical data**

Weight	Weight	0.001 kg
	Packaging quantity	Multipack 20 pcs.

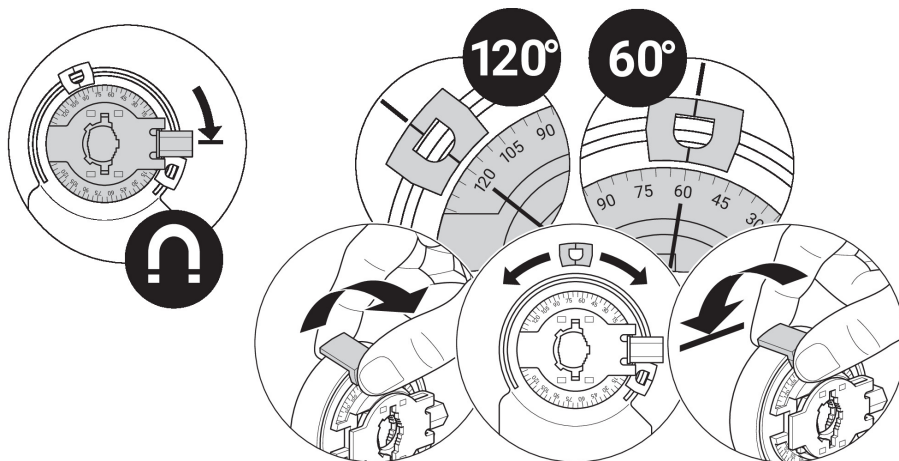
Safety notes

- This accessory has been designed for use in stationary heating, ventilation and air-conditioning systems and must not be used outside the specified field of application, especially in aircraft or in any other airborne means of transport.
- Only authorised specialists may carry out installation. All applicable legal or institutional installation regulations must be complied during installation.
- The accessory may not be disposed of as household refuse. All locally valid regulations and requirements must be observed.

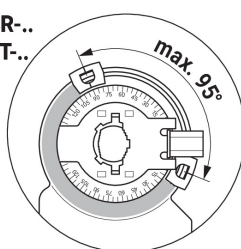
Product features

Used materials Thermo-plastic material

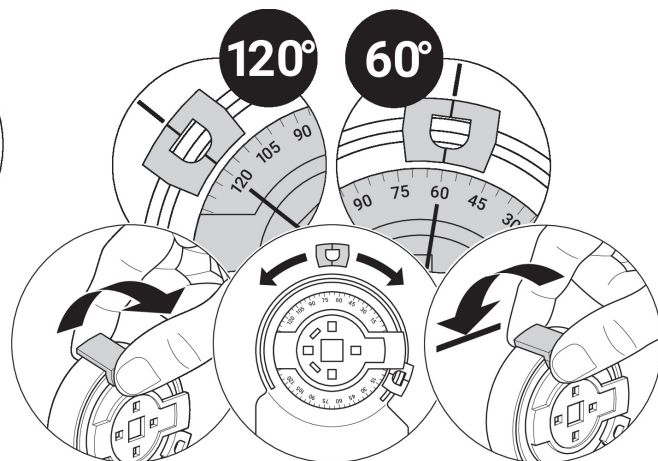
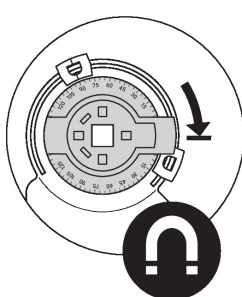
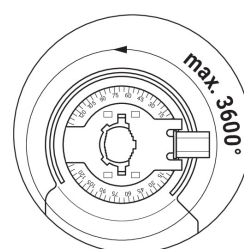
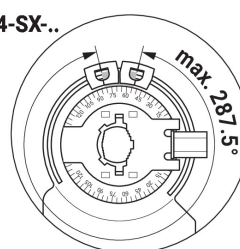
Application Suitable for CM., UM., CQ., CQK., CH..



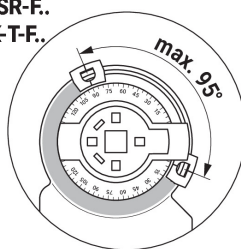
CM24-SR..
CM24K-T..



CM24-SX..



CM24-SR-F..
CM24K-T-F..



CM24-SX-F..

