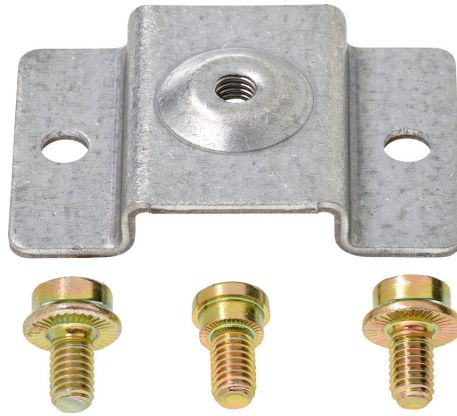


**Rotary support**

- for linear actuator
- for compensation of transverse forces

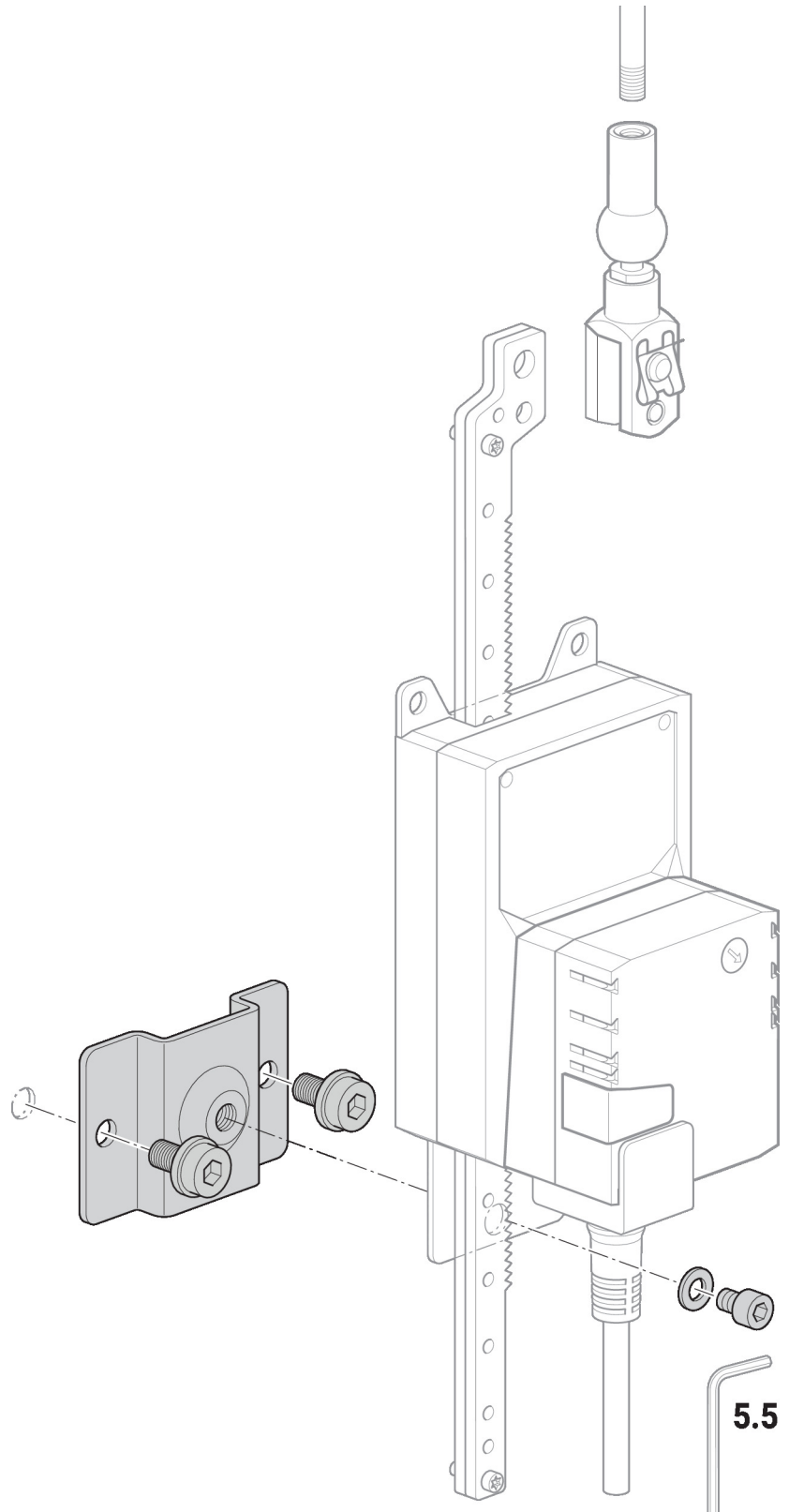
**Technical data**

<b>Weight</b>	<u>Weight</u>	0.060 kg
---------------	---------------	----------

**Product features**

<b>Used materials</b>	Galvanised steel
-----------------------	------------------

**Application** Suitable for LH..A, LHK..A, LHQ..A, SH..A, SHK..A, SHQ..A



## Dimensions

## Dimensional drawings

