

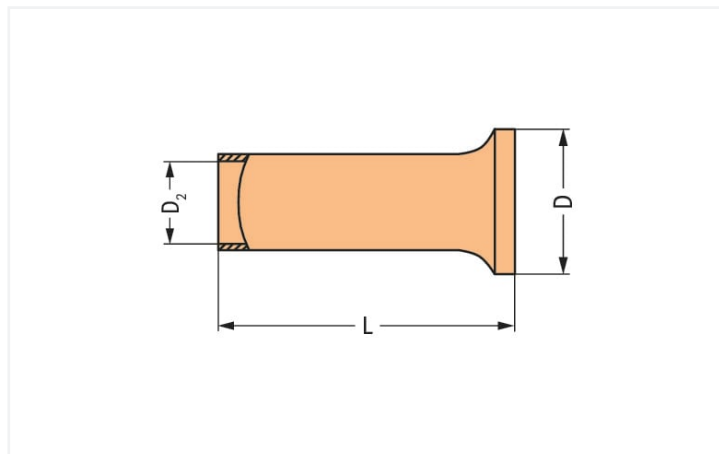
## Data Sheet | Item Number: 216-143

Ferrule; Sleeve for 1 mm<sup>2</sup> / AWG 18; uninsulated; electro-tin plated; electrolytic copper; gastight crimped; acc. to DIN 46228, Part 1/08.92

<https://www.wago.com/216-143>



Similar to illustration



Dimensions in mm

### Technical data

Sleeve cross-section (AWG)	18 AWG
Sleeve for	1 mm <sup>2</sup>

### Connection data

Strip length	10 mm / 0.39 inches
--------------	---------------------

### Physical data

Length	10 mm
Diameter	2.5 mm
Diameter crimp sleeve inside	1.4 mm

### Material data

Fire load	0 MJ
Weight	0.1 g

### Commercial data

Product Group	2 (Terminal Block Accessories)
eCl@ss 10.0	27-40-02-01
eCl@ss 9.0	27-40-02-01
ETIM 8.0	EC000005
ETIM 7.0	EC000005
PU (SPU)	5000 (1000) pcs
Packaging type	Box
Country of origin	DE
GTIN	4044918016377
Customs tariff number	85369010000

### Environmental Product Compliance

RoHS Compliance Status	Compliant, No Exemption
------------------------	-------------------------

### Downloads

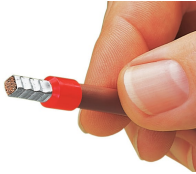
#### Environmental Product Compliance

Compliance Search	
Environmental Product Compliance 216-143	<a href="#">↓</a>

### Documentation

Bid Text			
216-143	19.02.2019	xml 2.87 KB	<a href="#">↓</a>
216-143	13.06.2017	doc 23.00 KB	<a href="#">↓</a>

### Installation Notes



A perfect gas-tight crimp – both electrically and mechanically reliable