

# Wall mounted receptacle

Part number: 1349



**MENNEKES**  
Elektrotechnik GmbH & Co. KG

Aloys-Mennekes-Straße 1  
57399 Kirchhundem  
GERMANY

[www.MENNEKES.org](http://www.MENNEKES.org)

## Product Description

- screwless, with insulation displacement technology TwinCONTACT
- external fixing, prepared for internal fixing
- 15° inclination

## Technical Details

Wall mounted receptacle	1349
Ampere	32A
Number of poles	4p
Clock position	7h
Nominal voltage AC	500V
Nominal frequency	50 - 60 Hz
Protection type IP	IP44
Contact carrier	standard
X-CONTACT	no
Connection	insulation displacement technology - TwinCONTACT
Screw drive external screws	PZ2, slot
Pilot contact	without pilot contact
Pilot contact switch	no
Cable entry at the top	1 x M32x1,5
Blind cable entry at the rear	no
Enclosure base can be turned 180°	no
Insertion direction	angled
Inclination	15°
Type of mounting	external fixing, prepared for internal fixing
Highly resistant to chemicals	no
Military version	no
Lockable	no
Strip length jacket	120 mm
Strip length solid conductor	18 mm
Conductor cross-section min.	2.5 mm <sup>2</sup>
Conductor cross-section max.	6 mm <sup>2</sup>
Weight (net)	320 g

Wall mounted receptacle	1349
Packaging unit	10 pcs
Quantity per pallet	540 pcs
EAN / identification number	4015394213970

Permissible ambient conditions

	Min.	Max.
Permissible ambient temperature	-25 °C	40 °C
Average temperature over 24 hours		35 °C

Material properties

Base	PA6 light grey [similar RAL 7035]
Upper part	PA6 black [similar RAL 9005]
Front part	PA6 black [similar RAL 9005]
Hinged lid	PC black [similar RAL 9005]
External screws	steel galvanised

Material resistance

The material resistance overview can be found on the website in the section “Knowledge” - “Product knowledge” - “Materials”.

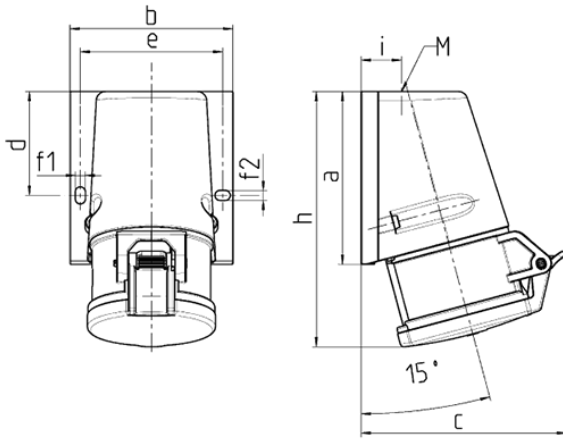
Material and environmental properties

RoHS 2011/65/EU incl. 2015/863/EU	✓
POP regulation (EU) 2019/1021	✓
Halogen-free	yes

Regulations and Standards

Norm	DIN EN IEC 60309-2
Declaration of Conformity	CE
Test label	CB Zertifikat, VDE, EAC

# Dimensional Drawing



Drawing 1 MB 463	Amp. Poles	16			32		
		3	4	5	3	4	5
Dim. in mm	a	95	93	92.5	102	102	102
	b	73.5	87.5	87.5	94	94	94
	c	93	107.5	110	115.5	115.5	119.5
	d	55.5	55.5	55.5	62	62	62
	e	61	76	76	84	84	84
	f1	5.3	5.3	5.3	5.1	5.1	5.1
	f2	5.3	5.3	5.3	5.1	5.1	5.1
	h	139	139	136.5	160	160	156.5
	i	19.8	21.5	21.5	26.5	26.5	26.5
	M	M20x	M25x	M25x	M25x	M32x	M32x
	Terminal for cond. cross section (mm <sup>2</sup> ) min.-max.	1.5 1.5	1.5 1.5	1.5 1.5	1.5 2.5	1.5 2.5	1.5 2.5
		-4	-4	-4	-6	-6	-6