

Wall mounted receptacle

Part number: 5519A



MENNEKES
Elektrotechnik GmbH & Co. KG

Aloys-Mennekes-Straße 1
57399 Kirchhundem
GERMANY

www.MENNEKES.org

Product Description

- frame terminals
- X-CONTACT
- external fixing
- 20° inclination
- rubberised bayonet ring
- a large connection space allows the installation of a terminal strip

Technical Details

Wall mounted receptacle	5519A
Ampere	63A
Number of poles	5p
Clock position	6h
Nominal voltage AC	400V
Nominal frequency	50 - 60 Hz
Protection type IP	IP67
Contact carrier	standard
X-CONTACT	yes
Connection	frame terminals
Contact screw drive	PZ2, slot
Screw drive external screws	slot
Pilot contact	without pilot contact
Pilot contact switch	no
Cable entry at the top	2 x M40
Cable entry at the bottom	2 x M40
Blind cable entry at the rear	no
Enclosure base can be turned 180°	no
Insertion direction	angled
Inclination	20°
Type of mounting	external fixing
Highly resistant to chemicals	no
Military version	no
Lockable	no
Tightening torque connection terminal	2 Nm

Wall mounted receptacle	5519A
Conductor cross-section min.	6 mm ²
Conductor cross-section max.	25 mm ²
Weight (net)	1776 g
Packaging unit	3 pcs
Quantity per pallet	75 pcs
EAN / identification number	4015394027294

Permissible ambient conditions		
	Min.	Max.
Permissible ambient temperature	-25 °C	40 °C
Average temperature over 24 hours		35 °C

Material properties	
Base	PC light grey [similar RAL 7035]
Upper part	PC light grey [similar RAL 7035]
Hinged lid	PBT/PC red [similar RAL 3013]
	TPE black [similar RAL 9005]
	PBT/PC squirrel grey [similar RAL 7000]
	TPE anthracite [similar RAL 7016]
External screws	PA6 light grey [similar RAL 7035]

Material resistance

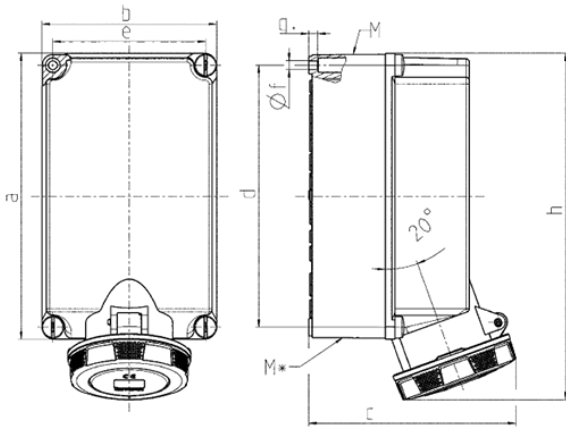
The material resistance overview can be found on the website in the section “Knowledge” - “Product knowledge” - “Materials”.

Material and environmental properties	
RoHS 2011/65/EU incl. 2015/863/EU	✓
POP regulation (EU) 2019/1021	✓
Halogen-free	no

Regulations and Standards

Norm	DIN EN IEC 60309-2
Declaration of Conformity	CE
Test label	EAC

Dimensional Drawing



Drawing 1 MB 178	Amp. Poles	63	
		4	5
Dim. in mm	a	264	264
	b	163	163
	c	191	191
	d	240	240
	e	140	140
	f	8.1	8.1
	g	8	8
	h	319	319
	M	2x40	2x40
	M*	2x40	2x40
	Max. cable diam. (mm)	27	27
	Terminal for cond. cross section (mm ²) min.-max.	6	6
		-25	-25