

Technische Daten/ Technical Data

KLUDI NOVA FONTE

basin mixer

DN 15

Style: Puristic

Ref.: 20118N115

Finishes:

N1 Brushed Bronze PVD

Product description

Manufacturer KLUDI GmbH & Co. KG

Typ: KLUDI NOVA FONTE

basin mixer

Ref.: 20118N115

basin mixer

2-handle mixer

1-hole mounted

wing handle, metal

aerator M18,5 PCA laminar

ceramic headparts 90° (right/left)

flow rate at 3 bar 5,6 l/min.

swivel (150°/360°) or fixable spout

flexible hoses G3/8 DVGW approved

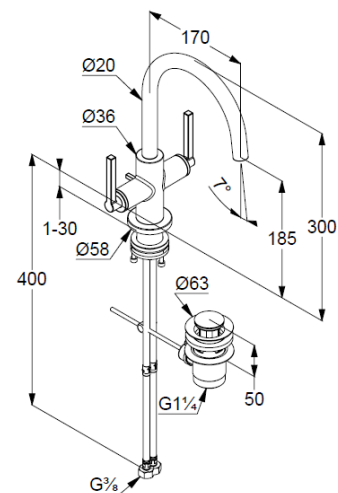
shank-fixing

pop up waste G1 1/4 metal

Produktabbildung/ Product picture



Maßzeichnung/ Dimensional drawing



Durchfluss/ Flow rate

