

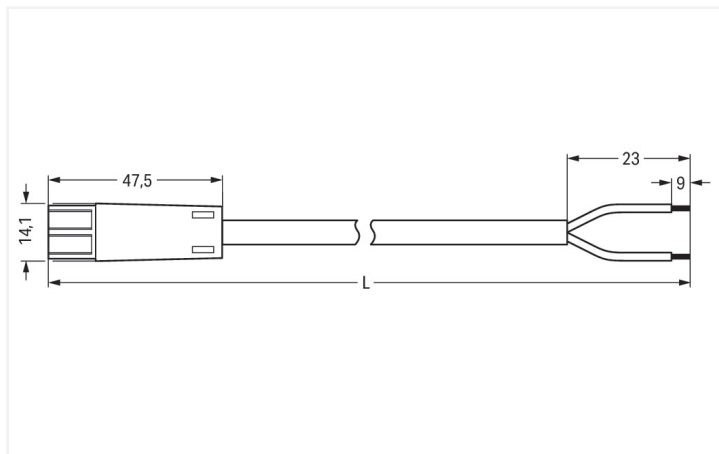
## Data Sheet | Item Number: 894-8992/223-507

pre-assembled connecting cable; Dca; Plug/open-ended; 2-pole; Cod. F; Y-H(St)Hh  
1x2x0,8; 5 m; gray

<https://www.wago.com/894-8992/223-507>



Color: ■ gray



Dimensions in mm

### Cable assembly WINSTA® KNX 2-pole

The WINSTA® KNX cable assembly F coding is the pluggable solution for your application in control cabinets, on PCBs or for lighting connections. WAGO pluggable installation connectors can be used when specifications repeat or are distributed on a defined pattern, for example for installing grid lighting or flush-mount lighting. The coding options reduce installation errors, allowing fast, secure wiring of all components. The pluggable installation connector offers protection against contact with live components in accordance with protection type IP20 (Only when mated and secured with a strain relief housing (These compact connectors are not designed for use in open, easily accessible areas.)). The harmonised KNX interface represents a manufacturer-independent communication protocol for intelligently networking state-of-the-art home and building system technologies. WINSTA® KNX pluggable installation connectors with F coding are employed in the low-voltage range. Of course, the safety of buildings must always be ensured, even after the electrical installation has been performed. The safety requirements in connection with EU CPR are fully satisfied by this product through fire class D. The cable assembly is halogen-free. This eliminates the addition of environmental pollutants during production. It also increases the fire class, since halogen-free materials are flame-resistant.

### Fast, secure pluggable connections – cable assemblies from WAGO

A plug and a free end are available. The WINSTA® Pluggable Connection System allows pluggable electrical installation. This significantly reduces the need for servicing and lowers costs. Choose quality and durability – with fire class D from WAGO makes the electrical installation of electrical components substantially easier.

- saves time, since no wiring is required at the construction site
- with F coding for connections with protection against mismatching for supplying power
- ready to install and use immediately
- quick replacement of defective units during ongoing operation

### Notes

Note

Cables with a different fire class can be found in the eShop.

## Electrical data

Ratings per	IEC/EN 60664-1			General information	
Overvoltage category	III	III	II	Note on contact resistance	Approx. 3 mΩ contact resistance
Pollution degree	3	2	2		
Nominal voltage	50 V	-	-		
Rated impulse withstand voltage	0.8 kV	-	-		
Rated current	3 A	-	-		

## Connection Data

Total number of potentials	2	<b>Connection 1</b>	
Conductor preparation	stripped	Conductor diameter	0.8 mm
		Strip length	9 mm / 0.35 inches
		Pole number	2
		Strip length (outer insulation)	23 mm
		Connection type	Plug - free end

## Physical data

Width	14.1 mm / 0.555 inches
Height	11.1 mm / 0.437 inches
Total length	5 m

## Mechanical data

Technology	KNX
Coding	F
Variable coding	No
Marking	1+ 2-
Potential marking	1+ 2-
Mating force of a plug-in connection	Approx. 10 ... 15 N
Retention force of a plug-in connection	when locked: > 80N
Unmating force of a plug-in connection	Unlocked: approx. 15 ... 20 N
Number of mating cycles	200
Connection type	Plug - free end
Type of pre-assembled cable	Connecting cable
Cable type	J-Y(ST)Y...LG 1x2x0.8
Protection type	IP20; Only when mated and secured with a strain relief housing (These compact connectors are not designed for use in open, easily accessible areas.)

## Plug-in connection

Mismating protection	Yes
Note on mismating protection	All WINSTA® components are 100% protected against mismating when: a.) plugging different numbers of poles b.) plugging while rotated 180 c.) plugging while laterally staggered d.) plugging one pole

### Material data

Note (material data)	<a href="#">Information on material specifications can be found here</a>
Color	gray
Insulation material (main housing)	Polyamide (PA66)
Fire class per EN 50575	D <sub>ca</sub>
Contact material	Copper alloy; surface-treated
Contact Plating	Tin
Fire load	5.417 MJ
Connector color	light gray
Strain relief color	black
Sheathed cable color	gray
Printing color of sheathed cable	black
Halogen-free	Yes
Silicon-free	Yes
Sheath material	Halogen-free
Rubber cable	No
Weight	180.4 g
Copper weight of the raw cable	0.01 kg/m

### Environmental requirements

Processing temperature	-5 ... +40 °C
Continuous operating temperature	-35 ... +85 °C
Note on continuous operating temperature	Cable for temperatures ≤ 70 °C (including halogen-free) Insulating parts for temperatures ≤ 105 °C

### Commercial data

PU (SPU)	1 pcs
Packaging type	unpacked
Country of origin	PL
GTIN	4045454961398
Customs tariff number	85444290900

### Product Classification

UNSPSC	26121629
eCl@ss 10.0	27-44-06-04
eCl@ss 9.0	27-44-06-04
ETIM 9.0	EC002587
ETIM 10.0	EC002587
ECCN	NO US CLASSIFICATION

### Environmental Product Compliance

RoHS Compliance Status	Compliant, No Exemption
------------------------	-------------------------

Downloads

Environmental Product Compliance


Compliance Search

Environmental Product  
Compliance  
894-8992/223-507



Documentation

Bid Text

894-8992/223-507	19.02.2019	xml 3.00 KB	
894-8992/223-507	16.03.2015	doc 25.50 KB	