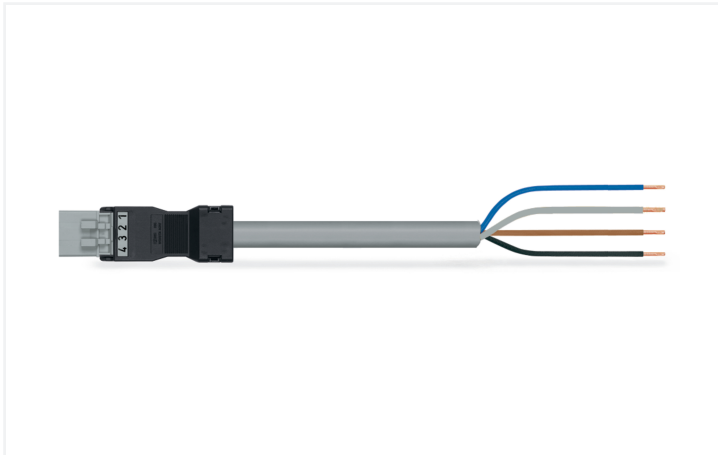


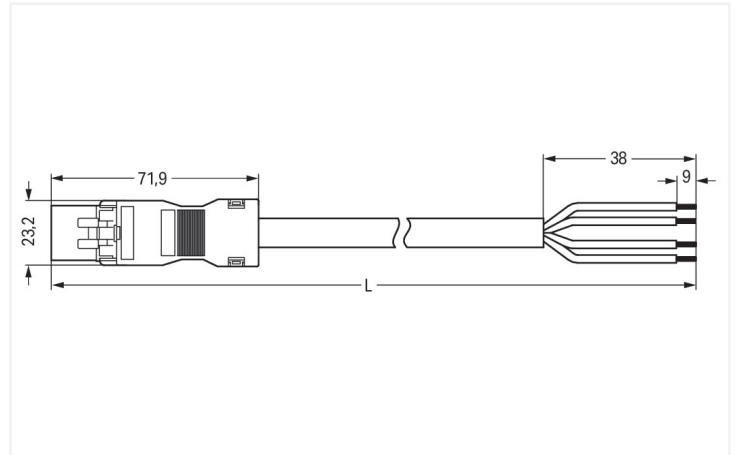
## Data Sheet | Item Number: 891-8994/205-803

pre-assembled connecting cable; Eca; Plug/open-ended; 4-pole; Cod. B; Control cable 4 x 1.0 mm<sup>2</sup>; 8 m; 1,00 mm<sup>2</sup>; gray

<https://www.wago.com/891-8994/205-803>



Color: ■ gray



Dimensions in mm

### Cable assembly WINSTA® MINI with strain relief

For signal and power transmission: The WINSTA® MINI cable assembly with protection against mismatching. Our pluggable installation connectors with spring pressure connection technology work without screw connections. They allow resource-efficient, error-free installation in a large number of applications. For greater security in electrical installations, the pluggable installation connector is provided with mechanical protection against mismatching. Solutions like the WINSTA® MINI pluggable installation connectors with B coding are appropriate for process control, for example, for lighting or within data networks. Especially if only limited space is available, our smallest pluggable connection system, WINSTA® MINI, conveniently displays its advantages. It is very compact, and, thanks to Push-in CAGE CLAMP® spring pressure connection technology, it additionally can be installed quickly, since the installation is low-maintenance and can be performed without screw connections. This product meets all the relevant safety requirements of fire class E; as a result it can be used in areas where fire safety is relevant.

### Pluggable connections instead of screw connections – cable assemblies from WAGO

The cable is pre-assembled with a plug and a free end. The WINSTA® Pluggable Connection System allows pluggable electrical installation. This saves time, lowers costs, and reduces the need for servicing. Take advantage of the pluggable version of our maintenance-free spring pressure connection technology too! Plan your installation with with protection against mismatching from WAGO.

- pluggable installation connectors with protection against mismatching
- compact design for conductors with a cross-section up to 1.5 mm<sup>2</sup>
- with B coding for controllers such as lighting fixtures and sun blinds
- exact dimensions
- quick replacement of defective units during ongoing operation

### Notes

#### Note

Cables with a different fire class can be found in the eShop.

#### Variants:

Other pole markings

Other versions (or variants) can be requested from WAGO Sales or configured at <https://configurator.wago.com/>.

## Electrical data

| Ratings per                     | IEC/EN 60664-1 |     |    |
|---------------------------------|----------------|-----|----|
| Overvoltage category            | III            | III | II |
| Pollution degree                | 3              | 2   | 2  |
| Nominal voltage                 | 400 V          | -   | -  |
| Rated impulse withstand voltage | 6 kV           | -   | -  |
| Rated current                   | 10 A           | -   | -  |

## General information

|                            |  |
|----------------------------|--|
| Note on contact resistance | approx. 1 mΩ of contact resistance<br>approx. 0.25 mΩ contact transition plug/<br>socket |
|----------------------------|--|

## Connection Data

|                            |                           |
|----------------------------|---------------------------|
| Total number of potentials | 4                         |
| Conductor preparation      | ultrasonically tip-bonded |

## Connection 1

|                                 |                    |
|---------------------------------|--------------------|
| Strip length                    | 9 mm / 0.35 inches |
| Pole number                     | 4                  |
| Wire cross-section              | 1 mm <sup>2</sup>  |
| Strip length (outer insulation) | 38 mm              |
| Connection type                 | Plug - free end    |

## Physical data

|              |                        |
|--------------|------------------------|
| Pin spacing  | 4.4 mm / 0.173 inches  |
| Width        | 23.2 mm / 0.913 inches |
| Height       | 16 mm / 0.63 inches    |
| Total length | 8 m                    |

## Mechanical data

|   |   |
|---|---|
| Use                                     | Control technology  |
| Coding                                  | B   |
| Variable coding                         | No  |
| Marking                                 | 1 2 3 4   |
| Potential marking                       | 1 2 3 4   |
| Mating force of a plug-in connection    | approx. 20 ... 70 N (depending on pole number)                |
| Retention force of a plug-in connection | when locked: > 80N  |
| Unmating force of a plug-in connection  | when unlocked: approx. 20 ... 70 N (depending on pole number) |
| Number of mating cycles                 | 200, without resistive load                                   |
| Connection type                         | Plug - free end   |
| Type of pre-assembled cable             | Connecting cable  |
| Cable type                              | Control line 4x1  |
| Protection type                         | IP20; IP40 when mated   |

## Plug-in connection

|                               |  |
|-------------------------------|--|
| Mismating protection          | Yes  |
| Note on mismating protection  | All <i>WINSTA</i> ® components are 100% protected against mismating when:<br>a.) plugging different numbers of poles<br>b.) plugging while rotated 180<br>c.) plugging while laterally staggered<br>d.) plugging one pole  |
| Locking lever                 | Can be retrofitted   |
| Locking of plug-in connection | Locking lever  |
| Note on locking system        | All connectors for mounted installations (snap-in versions for lighting fixtures or devices, all types of PCB and distribution connectors) are factory-equipped with locking levers to ensure plugs and sockets are securely locked. Additional locking levers are only required for flying leads (plug/socket). |

### Material data

|                                    |  |
|------------------------------------|--|
| Note (material data)               | <a href="#">Information on material specifications can be found here</a> |
| Color                              | gray   |
| Insulation material (main housing) | Polyamide (PA66)   |
| Fire class per EN 50575            | E <sub>ca</sub>  |
| Contact material                   | Copper or copper alloy; surface-treated                                  |
| Contact Plating                    | Tin  |
| Fire load                          | 0.28 MJ  |
| Connector color                    | gray   |
| Strain relief color                | black  |
| Sheathed cable color               | gray   |
| Printing color of sheathed cable   | black  |
| Halogen-free                       | No   |
| Silicon-free                       | Yes  |
| Sheath material                    | PVC  |
| Rubber cable                       | No   |
| Weight                             | 649.1 g  |
| Copper weight of the raw cable     | 0.0384 kg/m  |

### Environmental requirements

|  |   |
|--|---|
| Processing temperature                   | -5 ... +40 °C   |
| Continuous operating temperature         | -35 ... +85 °C  |
| Note on continuous operating temperature | Cable for temperatures ≤ 70 °C (including halogen-free)<br>Insulating parts for temperatures ≤ 105 °C |

### Commercial data

|                       |               |
|-----------------------|---------------|
| PU (SPU)              | 1 pcs         |
| Packaging type        | unpacked      |
| Country of origin     | PL            |
| GTIN                  | 4050821295709 |
| Customs tariff number | 85444290900   |

### Product Classification

|             |                      |
|-------------|----------------------|
| UNSPSC      | 26121629             |
| eCl@ss 10.0 | 27-44-06-04          |
| eCl@ss 9.0  | 27-44-06-04          |
| ETIM 9.0    | EC002587             |
| ETIM 10.0   | EC002587             |
| ECCN        | NO US CLASSIFICATION |

### Environmental Product Compliance

|                        |                         |
|------------------------|-------------------------|
| RoHS Compliance Status | Compliant, No Exemption |
|------------------------|-------------------------|

## Downloads

### Environmental Product Compliance

| Compliance Search                |  |  |   |
|----------------------------------|--|--|---|
| Environmental Product Compliance |  |  | ↓ |
| 891-8994/205-803                 |  |  |   |

## Documentation

| Bid Text         |            |                 |   |
|------------------|------------|-----------------|---|
| 891-8994/205-803 | 19.02.2019 | xml<br>2.99 KB  | ↓ |
| 891-8994/205-803 | 02.12.2014 | doc<br>25.00 KB | ↓ |

## CAD/CAE-Data

| CAE data          |   |
|-------------------|---|
| EPLAN Data Portal | ↓ |
| 891-8994/205-803  |   |

## 1 Compatible Products

### 1.1 Required Accessories

#### 1.1.1 Locking system

##### 1.1.1.1 Locking system



**Item No.: 890-111**  
Locking lever; for flying leads; for tool operation; black

**Item No.: 890-131**  
Locking lever; for flying leads; for tool operation; white

**Item No.: 890-101**  
Locking lever; for manual operation; black

**Item No.: 890-121**  
Locking lever; for manual operation; white

### 1.2 Optional Accessories

#### 1.2.1 Cover

##### 1.2.1.1 Cover



**Item No.: 897-2003**  
Protective cap; Type2; for sockets and plugs; PVC; red

## 1.2.2 Installation

### 1.2.2.1 Mounting accessories



**Item No.: 890-310**

Mounting carrier; 2- to 5-pole; for flying leads; black



**Item No.: 890-311**

Mounting carrier; 2- to 5-pole; for flying leads; white