

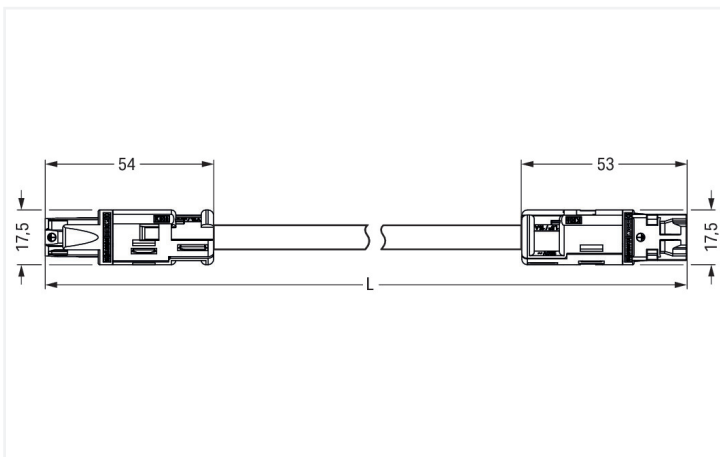
Data Sheet | Item Number: 774-9973/016-705

pre-assembled interconnecting cable; Eca; Socket/plug; 3-pole; Cod. S; H05Z1Z1-F
3x1,5 mm²; 7 m; 1,50 mm²; brown

<https://www.wago.com/774-9973/016-705>



Color: ■ brown



Dimensions in mm

Cable assembly *WINSTA*® RD with strain relief

The *WINSTA*® RD cable assembly 3-pole allows installation of solid and fine-stranded conductors. On PCBs, in control cabinets or for connecting lights – pluggable installation connectors from WAGO allow you to establish connections according to many different requirements in no time flat. For greater security in electrical installations, the pluggable installation connector is provided with mechanical protection against mismatching. The pluggable

installation connector is protected in accordance with protection type IP20 (When mated: IP2xC (These compact connectors are not designed for use in open, easily accessible areas!)). That results in the fact that users' fingers will never come into contact with live elements. WINSTA® RD: Solutions from this product line are suitable for drill holes and conduits with diameters up to 20 mm. This product meets all the relevant safety requirements of fire class E; therefore it can be used in areas where fire safety is relevant. The cable assembly is halogen-free. This eliminates the addition of environmental pollutants during production. It also achieves a higher fire class, since halogen-free materials are flame-resistant.

Fast, secure pluggable connections – cable assemblies from WAGO

The cable is pre-assembled with a socket and a plug. WINSTA® is the pluggable connection system that is ideally tailored to the strict requirements of electrical installation. It allows fast, secure and, above all, error-free installation of components and cables. Enjoy the benefits of the pluggable version of our maintenance-free spring pressure connection technology too! Plan your installation with with locking lever from WAGO.

- effective protection against mismatching
- products perfectly tailored to your requirements guarantee safe use
- for AC applications
- ready for immediate use
- rapid, structured electrical installation

Notes

Note Cables with a different fire class can be found in the eShop.

Electrical data

| Ratings per | IEC/EN 60664-1 | | | General information | |
|---------------------------------|----------------|-----|----|----------------------------|------------------------------------------------------------------------------------------|
| Overvoltage category | III | III | II | Note on contact resistance | approx. 1 mΩ of contact resistance approx. 0.25 mΩ contact transition plug/ socket |
| Pollution degree | 3 | 2 | 2 | | |
| Nominal voltage | 250 V | - | - | | |
| Rated impulse withstand voltage | 4 kV | - | - | | |
| Rated current | 16 A | - | - | | |

Connection Data

| | | | |
|----------------------------|---|---------------------|---------------------|
| Total number of potentials | 3 | Connection 1 | |
| | | Pole number | 3 |
| | | Wire cross-section | 1.5 mm ² |
| | | Connection type | Socket - Plug |

Physical data

| | |
|--------------|------------------------|
| Width | 17.5 mm / 0.689 inches |
| Height | 17.5 mm / 0.689 inches |
| Total length | 7 m |

Mechanical data

| | |
|-----------------------------------------|----------------------------------------------------------|
| Use | Switching function |
| Coding | S |
| Variable coding | No |
| Marking | 1 2 L |
| Mating force of a plug-in connection | Approx. 30 ... 70 N (depending on pole number) |
| Retention force of a plug-in connection | when locked: > 80N |
| Unmating force of a plug-in connection | Unlocked: approx. 30 ... 70 N (depending on pole number) |
| Number of mating cycles | 200, without resistive load |
| Connection type | Socket - Plug |
| Type of pre-assembled cable | Interconnecting cable |
| Cable type | H05Z1Z1-F 3x1.5 |

Mechanical data

| | |
|-----------------|---------------------------------------------------------------------------------------------------------------|
| Protection type | IP20; When mated: IP2xC (These compact connectors are not designed for use in open, easily accessible areas!) |
|-----------------|---------------------------------------------------------------------------------------------------------------|

Plug-in connection

| | |
|-------------------------------|----------------------------------------------------------------------------------------------------------------------------------------------------------------------------------------------------------|
| Mismating protection | Yes |
| Note on mismating protection | All <i>WINSTA</i> ® components are 100% protected against mismating when: a.) plugging different numbers of poles b.) plugging while incorrectly rotated c.) plugging while laterally staggered |
| Locking lever | Yes |
| Locking of plug-in connection | Locking lever |

Material data

| | |
|------------------------------------|--------------------------------------------------------------------------|
| Note (material data) | Information on material specifications can be found here |
| Color | brown |
| Insulation material (main housing) | Polyamide (PA66) |
| Fire class per EN 50575 | E _{ca} |
| Contact material | Copper or copper alloy; surface-treated |
| Contact Plating | Tin |
| Fire load | 208.738 MJ |
| Connector color | brown |
| Strain relief color | black |
| Sheathed cable color | black |
| Printing color of sheathed cable | white |
| Halogen-free | Yes |
| Silicon-free | Yes |
| Sheath material | Halogen-free |
| Rubber cable | No |
| Weight | 691.6 g |
| Copper weight of the raw cable | 0.043 kg/m |

Environmental requirements

| | |
|------------------------------------------|-------------------------------------------------------------------------------------------------------|
| Processing temperature | -5 ... +40 °C |
| Continuous operating temperature | -35 ... +85 °C |
| Note on continuous operating temperature | Cable for temperatures ≤ 70 °C (including halogen-free) Insulating parts for temperatures ≤ 105 °C |

Commercial data

| | |
|-----------------------|---------------|
| PU (SPU) | 1 pcs |
| Packaging type | unpacked |
| Country of origin | DE |
| GTIN | 4055143522540 |
| Customs tariff number | 85444290900 |

| Product Classification | |
|------------------------|----------------------|
| UNSPSC | 26121629 |
| eCl@ss 10.0 | 27-44-06-04 |
| eCl@ss 9.0 | 27-44-06-04 |
| ETIM 9.0 | EC002587 |
| ETIM 10.0 | EC002587 |
| ECCN | NO US CLASSIFICATION |

| Environmental Product Compliance | |
|----------------------------------|-------------------------|
| RoHS Compliance Status | Compliant, No Exemption |

Approvals / Certificates

| General approvals | Declarations of conformity and manufacturer's declarations | | | | | | | | | | | | | | | | | | | | | | | | |
|--------------------------------------------------------------------------------------------------------------------------------------------------------------------------------------------------------------------------------------------------------------------------------------------------------------------------------------------------------------------------------------------------------------------------------------------------------------------------------------------------------------------------------|------------------------------------------------------------|------------------|------------------|---------------------------------|----------|-------------|---------------------------------|----------|-------------|---------------------------------------|----------|-----------|---------------------------------------|----------|-----------|--------------------------------------------------------------------------------------------------------------------------------------------------------------------------------------------------------------------------------------------------------------------------------------------------------------------------------------------------------|----------|----------|------------------|---------------------------------------------------------|---|---|---------------------------------------------------------|---|---|
| | | | | | | | | | | | | | | | | | | | | | | | | | |
| <table border="1"> <thead> <tr> <th>Approval</th> <th>Standard</th> <th>Certificate Name</th> </tr> </thead> <tbody> <tr> <td>CCA DEKRA Certification B.V.</td> <td>EN 61535</td> <td>NTR NL-7969</td> </tr> <tr> <td>CCA DEKRA Certification B.V.</td> <td>EN 61984</td> <td>NTR NL-7848</td> </tr> <tr> <td>KEMA/KEUR DEKRA Certification B.V.</td> <td>EN 61535</td> <td>71-123229</td> </tr> <tr> <td>KEMA/KEUR DEKRA Certification B.V.</td> <td>EN 61984</td> <td>71-114944</td> </tr> </tbody> </table> | Approval | Standard | Certificate Name | CCA DEKRA Certification B.V. | EN 61535 | NTR NL-7969 | CCA DEKRA Certification B.V. | EN 61984 | NTR NL-7848 | KEMA/KEUR DEKRA Certification B.V. | EN 61535 | 71-123229 | KEMA/KEUR DEKRA Certification B.V. | EN 61984 | 71-114944 | <table border="1"> <thead> <tr> <th>Approval</th> <th>Standard</th> <th>Certificate Name</th> </tr> </thead> <tbody> <tr> <td>EU-Declaration of Confor- mity WAGO GmbH & Co. KG</td> <td>-</td> <td>-</td> </tr> <tr> <td>UK-Declaration of Confor- mity WAGO GmbH & Co. KG</td> <td>-</td> <td>-</td> </tr> </tbody> </table> | Approval | Standard | Certificate Name | EU-Declaration of Confor- mity WAGO GmbH & Co. KG | - | - | UK-Declaration of Confor- mity WAGO GmbH & Co. KG | - | - |
| Approval | Standard | Certificate Name | | | | | | | | | | | | | | | | | | | | | | | |
| CCA DEKRA Certification B.V. | EN 61535 | NTR NL-7969 | | | | | | | | | | | | | | | | | | | | | | | |
| CCA DEKRA Certification B.V. | EN 61984 | NTR NL-7848 | | | | | | | | | | | | | | | | | | | | | | | |
| KEMA/KEUR DEKRA Certification B.V. | EN 61535 | 71-123229 | | | | | | | | | | | | | | | | | | | | | | | |
| KEMA/KEUR DEKRA Certification B.V. | EN 61984 | 71-114944 | | | | | | | | | | | | | | | | | | | | | | | |
| Approval | Standard | Certificate Name | | | | | | | | | | | | | | | | | | | | | | | |
| EU-Declaration of Confor- mity WAGO GmbH & Co. KG | - | - | | | | | | | | | | | | | | | | | | | | | | | |
| UK-Declaration of Confor- mity WAGO GmbH & Co. KG | - | - | | | | | | | | | | | | | | | | | | | | | | | |

Downloads

| Environmental Product Compliance | |
|------------------------------------------------------|-------------------|
| Compliance Search | |
| Environmental Product Compliance 774-9973/016-705 | ↓ |

Documentation

| Bid Text | | | |
|------------------|------------|-----------------|-------------------|
| 774-9973/016-705 | 19.02.2019 | xml 2.97 KB | ↓ |
| 774-9973/016-705 | 19.02.2015 | doc 24.00 KB | ↓ |