

IMO Single-lever shower mixer for wall mounting - Chrome


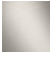






IMO

33 301 670 Product version from 3/9/2015 to 7/17/2018



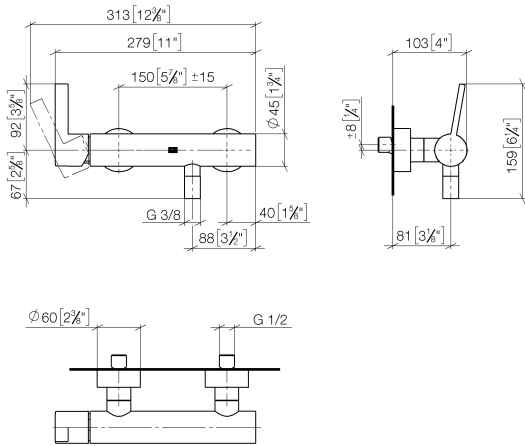
- 3/8" shower outlet
- slide-on rosettes Ø 60 mm
- 1/2" connection
- gauge 150 mm - 15 mm

Intrinsic protection against back flow.

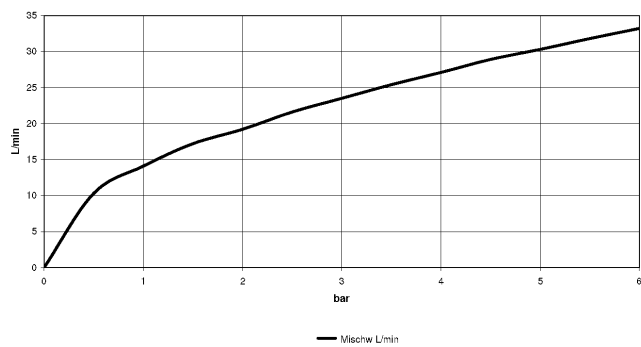
	Chrome	33 301 670-00
	Brushed Platinum	33 301 670-06
	Dark Chrome	33 301 670-19
	Brushed Light Gold (PVD)	33 301 670-27
	Matte Black	33 301 670-33
	Brushed Gold (PVD)	33 301 670-37
	Brushed Chrome	33 301 670-93
	Brushed Dark Platinum	33 301 670-99

33 301 670 Product version from 3/9/2015 to 7/17/2018

mm [inches]



Flow rate chart



Codes & Standards

DIN 4109

EN 1717

ISO 3822

Ü-Zeichen



IMO Single-lever shower mixer for wall mounting - Chrome

IMO

33 301 670 Product version from 3/9/2015 to 7/17/2018

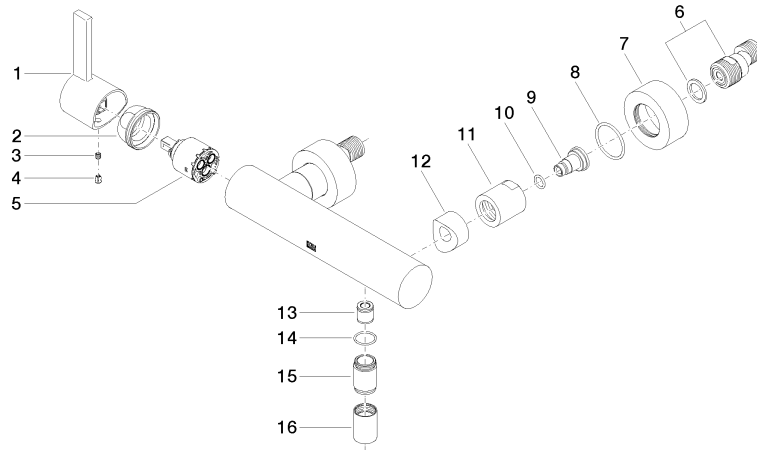
Certificates and sustainability

Belgaqua_21-025-2 LGA_9

EPD-DOR-20230287 Belgaqua_25-338-2
-IBA1-EN
Environmental.prod
uct-declarat

33 301 670 Product version from 3/9/2015 to 7/17/2018

Parts for other
finishes can be found
here: Brushed
Platinum



33 301 670 Product version from 3/9/2015 to 7/17/2018

Spare parts list

No.	Item Number	Name	Quantity used	Delivery time
4	09 31 20 017 90	Plug Masking plug -	1.00	-
Spare part can no longer be ordered, please order the replacement item				
	09312010990	Plug -		
5	90 15 05 064 00 90	Single-lever mixer cartridge Ø 35 mm x 58,6 mm -	1.00	-
Spare part can no longer be ordered, please order the replacement item				
	9015050460090	Single-lever mixer cartridge Ø 35 mm x 58,6 mm -		
1	09 20 67 004-00	Handle Lever 45 x 46 x 116 mm - Chrome	1.00	20
2	09 24 04 107-00	Connection Ø 40 x 20 mm - Chrome	1.00	20
3	90 31 11 030 00 90	Mounting Threaded pin with hexagon socket with cup point M5 x 5 mm -	1.00	14
13	90 23 01 141 00 90	Back-flow preventer -	1.00	14
12	09 18 40 059-00	Connection Spacer Ø 33 x 23 mm - Chrome	2.00	20
15	09 24 03 115 20-00	Nipple Ø 22 x 33 mm - Chrome	1.00	20
8	09 14 10 119 90	O-Ring EPDM 70 33,0 x 2,5 mm -	2.00	14
7	09 27 62 004-00	Rosette Ø 60 x 25 mm - Chrome	2.00	20
10	09 14 10 008 90	O-Ring 10,0 x 2,0 mm -	2.00	14
9	09 29 05 005 20 90	nipple	2.00	82
6	04 11 04 030 00 90	S-connection with sound damper and seal 1 pair G1/2 x G3/4 -	2.00	14
11	09 23 10 048-00	Mounting Ø 33 x 34 mm - Chrome	2.00	20
16	90 21 02 069 00-00	Cover/sleeve M20 x 1 - Chrome	1.00	20
14	90 14 10 032 00 90	O-Ring 18,1 x 1,6 mm -	1.00	14